

Pulse counters, electronic

LCD pulse counters	With count direction AC (battery)	Codix 132
---------------------------	--	------------------



The Codix 132 is a simple battery powered pulse counter with count and count direction input, 8-digit LCD display, optional backlighting, for high voltage applications 10 ... 260 V AC/DC.



Battery powered	Input type	Pulse voltage 10 ... 260 V	Count with direction (DIR)	Max. count frequency max. 30 Hz	Temperature range -10°... +60°C	High protection level	DIN front bezel	LCD display	Lockable reset
-----------------	------------	-------------------------------	----------------------------	------------------------------------	------------------------------------	-----------------------	-----------------	-------------	----------------

Powerful

- High quality LCD display with 8 mm high figures.
- Count direction adding and subtracting via direction input.
- Battery life approx. 8 years.
- Optional display backlighting.
- Filter function for bounce-free counting with mechanical contacts.
- Count frequency max. 30 Hz.
- High protection level IP65.

Simple

- Screw terminals, RM 5 mm.
- Reset key can be enabled via "Reset Enable" input.
- High voltage version for 10 ... 260 V AC/DC voltage pulses.
- Large 8-digit LCD display with 8 mm high figures.

Order code	6.132 . 012 . 8 X 3
-------------------	---------------------

a Backlighting
5 = without
6 = with ¹⁾

b Input type: Cnt.Dir ¹⁾ – count direction with count and static direction input

Input type	INP A				INP B			
3 = Cnt.Dir ¹⁾	10...260 V AC/DC	direction	AC/DC	30 Hz	10...260 V AC/DC	count	AC/DC	30 Hz

Delivery specification

- Pulse counter
- Mounting clip
- Front bezel for screw mounting (T008181) 56 x 40 mm [2.20 x 1.57"], panel cut-out 50 x 25 mm [1.97 x 0.98"]
- Front bezel for clip mounting (T008180) 53 x 28 mm [2.09 x 1.10"], panel cut-out 50 x 25 mm [1.97 x 0.98"]
- Gasket
- Instruction manual, multilingual

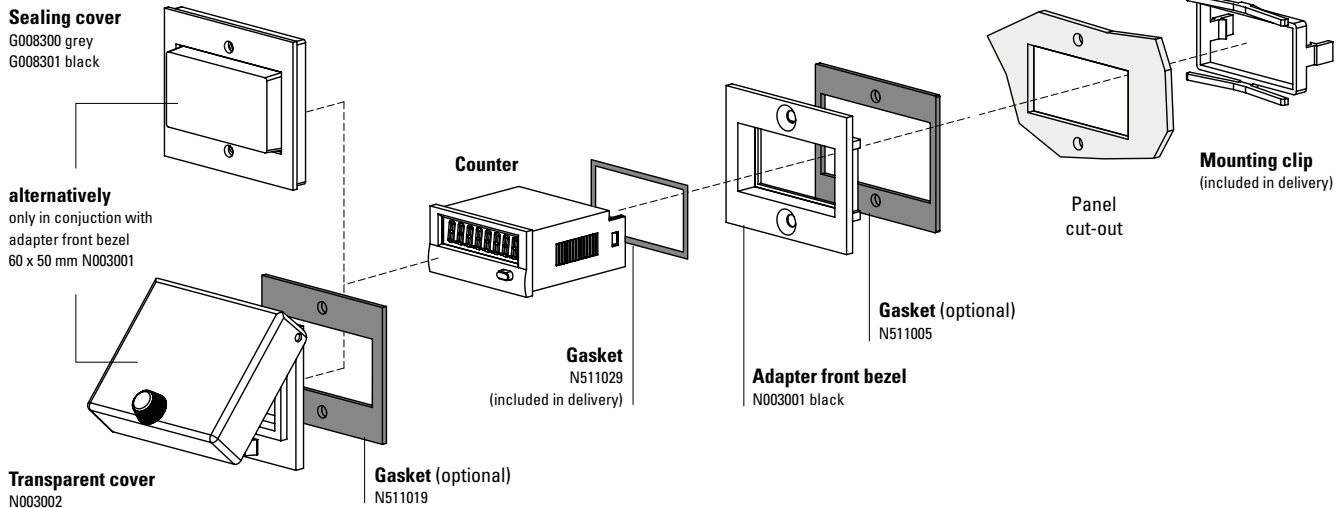
Stock types

6.132.012.853

1) Counting input with counting direction input.

LCD pulse counters **With count direction AC (battery)** **Codix 132**

Accessories / Mounting examples



		Type / size	Description		Order no.	suitable gasket
Adapter front bezel		53 x 28 mm [2.09 x 1.10"]	for cut-out 50 x 25 mm [1.97 x 0.98"] to cut-out 45 x 22.2 mm [1.77 x 0.94"]	black anthracite	T008165 T008180	N511015
		56 x 40 mm [2.20 x 1.57"]	for cut-out 50 x 25 mm [1.97 x 0.98"] to cut-out 45 x 22.2 mm [1.77 x 0.94"] screw mounting	black anthracite	T008161 T008181	N511045
		72 x 36 mm [2.83 x 1.42"]	for cut-out 68 x 33 mm [2.68 x 1.30"] to cut-out 45 x 22.2 mm [1.77 x 0.94"]	black and silver anodised as set	162704Set	–
		60 x 50 mm [2.36 x 1.97"]	for cut-out 54 x 29 mm [2.13 x 1.14"] to cut-out 45 x 22.2 mm [1.77 x 0.94"] screw mounting	black	N003001	N511005
		48 x 48 mm [1.89 x 1.89"]	for cut-out 45 x 45 mm [1.77 x 1.77"] to cut-out 45 x 22.2 mm [1.77 x 0.94"]	black	T008883	–
Sealing cover IP65		K1	only in conjunction with adapter front bezel 60 x 50 mm N003001	transparent / grey transparent / black	G008300 G008301	–
Transparent cover IP65		1 Dv (mounted on bezel)	cover lockable, for cut-out 54 x 29 mm [2.13 x 1.14"], only in conjunction with adapter front bezel 60 x 50 mm N003001	transparent / black	N003002	N511019
Gasket counter			48 x 24 mm (for installation in adapter front bezel) 49 x 25 mm		N511029 N511034	
Mounting frame		cut-out 50 x 25 mm [1.97 x 0.98"]	via adapter T008180 for snap-on mounting on 35 mm [1.38"] top-hat DIN rail	chromated	G300004	–
Enclosure blind		48 x 24 mm [1.89 x 0.94"]	for cut-out 45 x 22.2 mm [1.77 x 0.94"] and cut-out 50 x 25 mm [1.97 x 0.98"]	anthracite	G003836	–

incl. in delivery

Pulse counters, electronic

LCD pulse counters **With count direction AC (battery)** **Codix 132**

Technical data

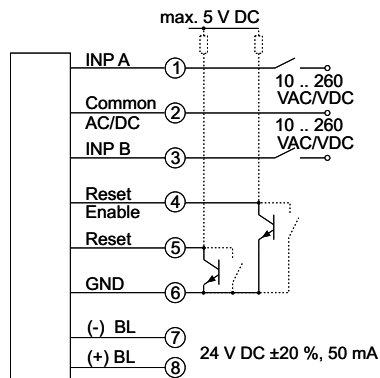
General technical data	
Display	LCD, 8 digits, 8 mm [0.32"] high
Backlighting	external electrical source 24 V DC $\pm 20\%$, 50 mA
Modes	counting direction (count and direction input)
Display range	-9999999 ... 99999999, with overflow display
Reset	manual and electrical
Working temperature	-10 °C ... +55 °C [+14 °F ... +131 °F] (non-condensing)
Operating temperature	-10 °C ... +60 °C [+14 °F ... +140 °F] (non-condensing)
Storage temperature	-20 °C ... +70 °C [-4 °F ... +158 °F]
Relative humidity	< 85 % (non-condensing)
Altitude	up to 2000 m [6562']

Electrical characteristics	
Supply voltage	internal lithium battery approx. 8 years at 20 °C [68 °F]
Device safety	designed to protection class 2 application area pollution level 2

Mechanical characteristics	
Housing	dark grey RAL 7021
Protection	IP65 (front side)
Weight	approx. 50 g [1.76 oz]

Terminal assignment

AC type: 6.132.012.8x3



BL = backlighting

Counting inputs	
Counting input of the high voltage versions (10 ... 260 V DC/AC) counting and direction input	
optocoupler input	max. 30 Hz
minimum pulse time	16 ms
switching level	LOW 0 ... 2 V AC/DC HIGH 10 ... 260 V AC/DC
Reset input	
minimum pulse time	DC 50 ms high voltage 16 ms
contact input DC – NPN	LOW 0 ... 0.7 VDC HIGH 3 ... 30 V DC
Electrical reset key locking	
contact input	open collector NPN (switching at 0 V)
switching level – NPN	LOW 0 ... 0.7 V DC HIGH 3 ... 5 V DC

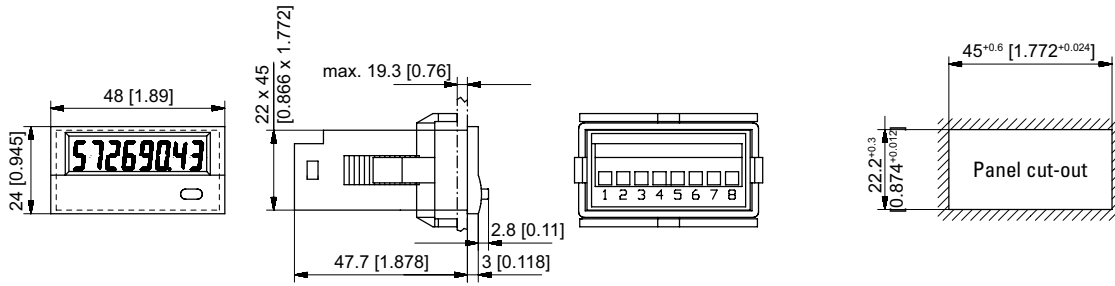
Approvals	
UL compliant in accordance with	File no. E128604
CE compliant in accordance with	
EMC Directive	2014/30/EU
RoHS Directive	2011/65/EU
Low Voltage Directive	2014/35/EU

Pulse counters, electronic

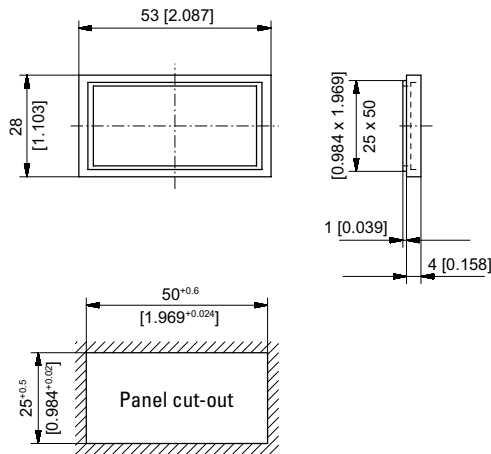
LCD pulse counters **With count direction AC (battery)** **Codix 132**

Dimensions

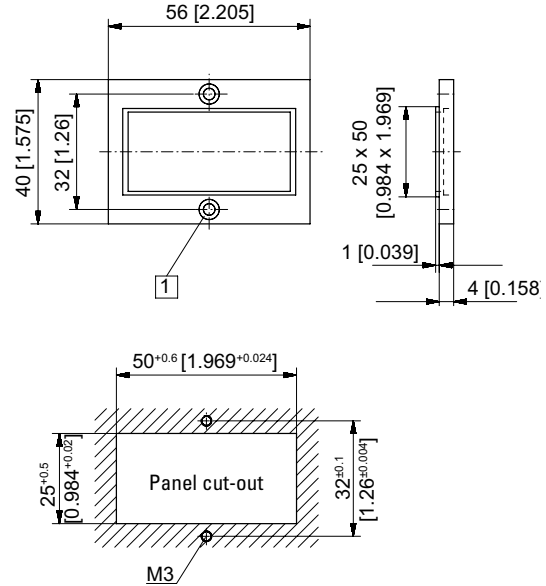
Dimensions in mm [inch]



Front bezel for clip mounting (included in delivery)



Front bezel for screw mounting (included in delivery)



□ Countersinking Af3, DIN 74