

Frequency displays / tachometers

LCD frequency displays	Measuring range in Hz (battery)	Codix 136
------------------------	---------------------------------	-----------



The Codix 136 is a simple battery powered frequency display / tachometer for NPN, PNP pulses.

Fast and slow count pulses are displayed directly in Hz via the 8-digit LCD display with its optional backlighting.



Battery powered	Frequency display/ Tachometer	Type of input	Pulse voltage 4 ... 30 V	Max. count frequency 12 kHz	Temperature range -10°... +60°C	High protection level IP65	DIN front bezel DIN 48x24	LCD display 8 LCDs	Lockable reset

Powerful

- Input frequency range from 1 Hz ... 12 kHz – gate measuring method, gate time 1 second.
- Battery life approx. 8 years.
- Filter function for bounce-free counting with mechanical contacts .
- Count frequency max. 12 kHz – accuracy 0.05 %.
- High protection level IP65.

Simple

- Screw terminals, RM 5 mm.
- For positive or negative edges, depending on version.
- Large 8-digit LCD display with 8 mm high figures and optional backlighting.
- Display directly in Hz.

Order code	6.136 . 012 . 8XX
------------	-------------------

a Backlighting

- 5 = without
- 6 = with

b Count input

Mode	INP A			INP B		
0 = Tacho	0 ... 0.7 V DC	NPN	7 kHz	0 ... 0.7 V DC	NPN	30 Hz
1 = Tacho	4 ... 30 V DC	PNP	12 kHz	0 ... 0.7 V DC	PNP	30 Hz

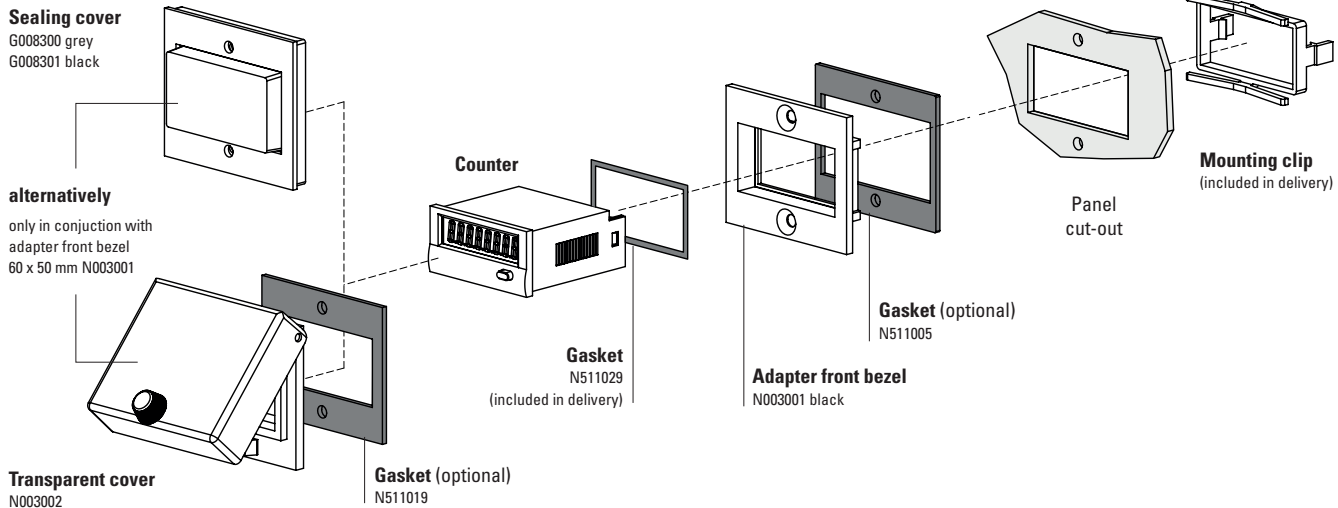
Delivery specification

- Pulse counter
- Mounting clip
- Front bezel for screw mounting (T008181) 56 x 40 mm [2.20 x 1.57"], panel cut-out 50 x 25 mm [1.97 x 0.98"]
- Front bezel for clip mounting (T008180) 53 x 28 mm [2.09 x 1.10"], panel cut-out 50 x 25 mm [1.97 x 0.98"]
- Gasket
- Instruction manual, multilingual

Frequency displays / tachometers

LCD frequency displays	Measuring range in Hz (battery)	Codix 136
-------------------------------	--	------------------

Accessories / Mounting examples



		Type / size	Description		Order no.	suitable gasket
Adapter front bezel		53 x 28 mm [2.09 x 1.10"]	for cut-out 50 x 25 mm [1.97 x 0.98"] to cut-out 45 x 22.2 mm [1.77 x 0.94"]	black anthracite	T008165 T008180	N511015
		56 x 40 mm [2.20 x 1.57"]	for cut-out 50 x 25 mm [1.97 x 0.98"] to cut-out 45 x 22.2 mm [1.77 x 0.94"] screw mounting	black anthracite	T008161 T008181	N511045
		72 x 36 mm [2.83 x 1.42"]	for cut-out 68 x 33 mm [2.68 x 1.30"] to cut-out 45 x 22.2 mm [1.77 x 0.94"]	black and silver anodised as set	162704Set	–
		60 x 50 mm [2.36 x 1.97"]	for cut-out 54 x 29 mm [2.13 x 1.14"] to cut-out 45 x 22.2 mm [1.77 x 0.94"] screw mounting	black	N003001	N511005
		48 x 48 mm [1.89 x 1.89"]	for cut-out 45 x 45 mm [1.77 x 1.77"] to cut-out 45 x 22.2 mm [1.77 x 0.94"]	black	T008883	–
Sealing cover IP65		K1	only in conjunction with adapter front bezel 60 x 50 mm N003001	transparent / grey transparent / black	G008300 G008301	–
Transparent cover IP65		1 Dv (mounted on bezel)	cover lockable, for cut-out 54 x 29 mm [2.13 x 1.14"], only in conjunction with adapter front bezel 60 x 50 mm N003001	transparent / black	N003002	N511019
Gasket counter			48 x 24 mm (for installation in adapter front bezel) 49 x 25 mm		N511029 N511034	
Mounting frame		cut-out 50 x 25 mm [1.97 x 0.98"]	via adapter T008180 for snap-on mounting on 35 mm [1.38"] top-hat DIN rail	chromated	G300004	–
Enclosure blind		48 x 24 mm [1.89 x 0.94"]	for cut-out 45 x 22.2 mm [1.77 x 0.94"] and cut-out 50 x 25 mm [1.97 x 0.98"]	anthracite	G003836	–

incl. in delivery

Frequency displays / tachometers

LCD frequency displays	Measuring range in Hz (battery)	Codix 136
-------------------------------	--	------------------

Technical data

General technical data	
Display	LCD, 8 digits, 8 mm [0.32"] high
Backlighting	external electrical source 24 V DC $\pm 20\%$, 50 mA
Display range	0 ... 99999999
Resolution	1/sec (1 Hz)
Working temperature	-10 °C ... +55 °C [+14 °F ... +131 °F] (non-condensing)
Operating temperature	-10 °C ... +60 °C [+14 °F ... +140 °F] (non-condensing)
Storage temperature	-20 °C ... +70 °C [-4 °F ... +158 °F]
Relative humidity	< 85 % (non-condensing)
Altitude	up to 2000 m [6562']

Electrical characteristics	
Supply voltage	internal lithium battery approx. 8 years at 20 °C [68 °F]
Device safety	designed to EN 61010 part 1 protection class 2 application area pollution level 2

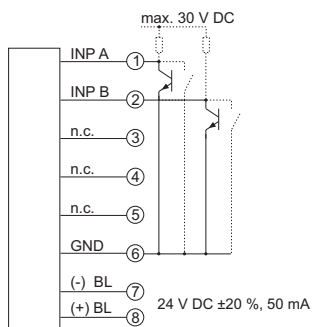
Mechanical characteristics	
Housing	dark grey RAL 7021
Protection	IP65 (front side)
Weight	approx. 50 g [1.76 oz]

Counting inputs		
Counting input of the DC-versions (max. 30 V DC)		
slow counting input	max.	30 Hz NPN or PNP
fast counting input	max.	12 kHz (PNP), 7 kHz (NPN)
switching level NPN	LOW	0 ... 0.7 V DC
	HIGH	3 ... 30 V DC
switching level PNP	LOW	0 ... 0.7 V DC
	HIGH	4 ... 30 V DC

Approvals		
UL compliant in accordance with		File no. E128604
CE compliant in accordance with		
EMC Directive	2014/30/EU	
RoHS Directive	2011/65/EU	
Low Voltage Directive	2014/35/EU	

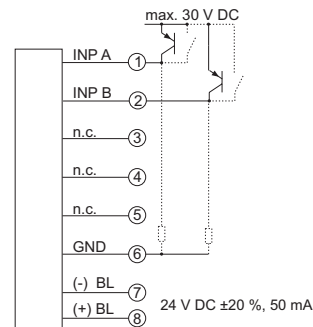
Terminal assignment

DC type: 6.136.012.8x0



BL = backlighting

DC type: 6.136.012.8x1



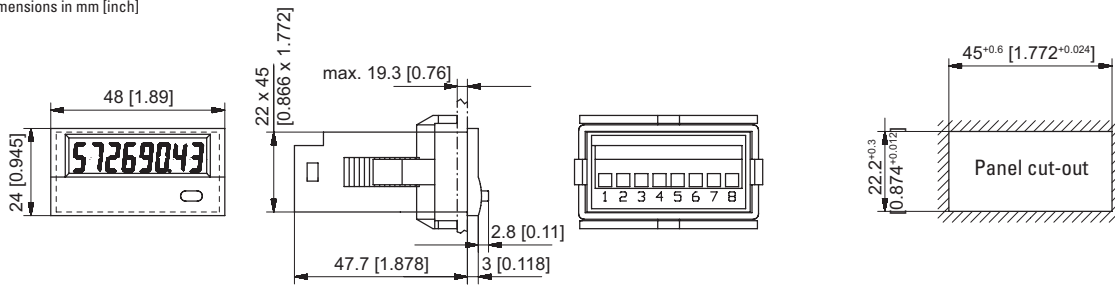
BL = backlighting

Frequency displays / tachometers

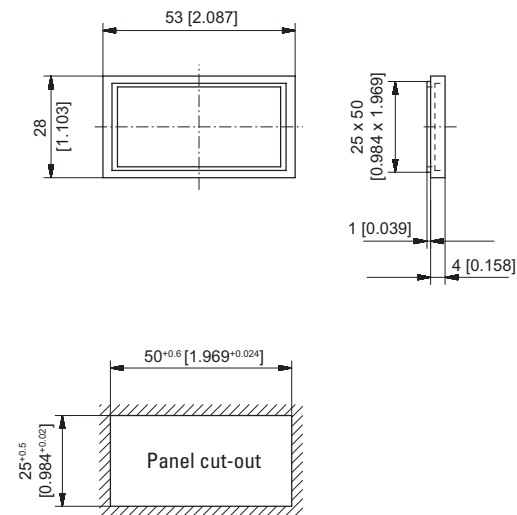
LCD frequency displays	Measuring range in Hz (battery)	Codix 136
-------------------------------	--	------------------

Dimensions

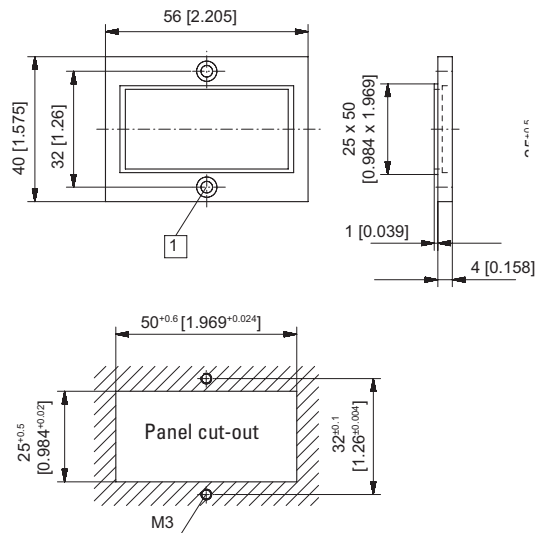
Dimensions in mm [inch]



Front bezel for clip mounting (included in delivery)



Front bezel for screw mounting (included in delivery)



□ Countersinking Af3, DIN 74