

LED timers **h, min, sec or hh.mm.ss (DC)** **Codix 523**



The Codix 523 is an externally powered timer, hour meter or short-time meter with 4 start input types and individually adjustable time base.

The 6-digit LED display shows the NPN, PNP input signals used for pulse width or time interval measurement.



DC 10 ... 30 V Supply voltage	000000 DIN 48x24 DIN front bezel	-20...+65°C Temperature range	IP65 High protection level	Prog Menu-driven programming	Timer	≥ 1 ms Resolution
--	---	---	--------------------------------------	--	--------------	-----------------------------

Powerful

- High accuracy thanks to quartz time base.
- Robust housing – IP65 protected.
- Very bright LED display, 8 mm high.
- Time base can be set individually
 - hours, minutes or seconds, the decimal point allows setting it even more accurately, up to max. 3 decimal places.
 - smallest achievable resolution: milliseconds.
 - time base hours (minutes and seconds as real-time display).
- Short start-up time – detects incoming pulses already 16 ms after having been switched on => no loss of pulses in case of a simultaneous motor start.
- Individually adjustable Start/Stop function
2 Start/Stop inputs allow achieving 4 different measuring principles such as, for example, active or passive pulse width measurement, time interval measurement with one single input or with separate inputs.

User-friendly and universal

- Large keys – pressing either of the keys switches between displays (can also be operated wearing gloves).
- Programming
 - simple uniform menu-driven programming and operation.
 - possibility to enter the programming mode also during operation with an authentication query.
- Manual or electrical reset
Tamper-proof thanks to lockable reset function.
- Freely programmable setpoint
Start time at which time counting begins.
- As an alternative to the HTL inputs, devices with a 4 ... 30 V DC input level are available, for use as parallel displays for PLCs.
- Optional output: 1 Hz clock pulse in case of active time measurement.

Order code **6.523 . 01 X . 3 X 0**

- | | |
|-----------------|-----------------------------|
| a Output | b Input switch level |
| 1 = Optocoupler | 0 = Standard (HTL) |
| 2 = No output | A = 4 ... 30 V DC |

Stock types
6.523.012.300

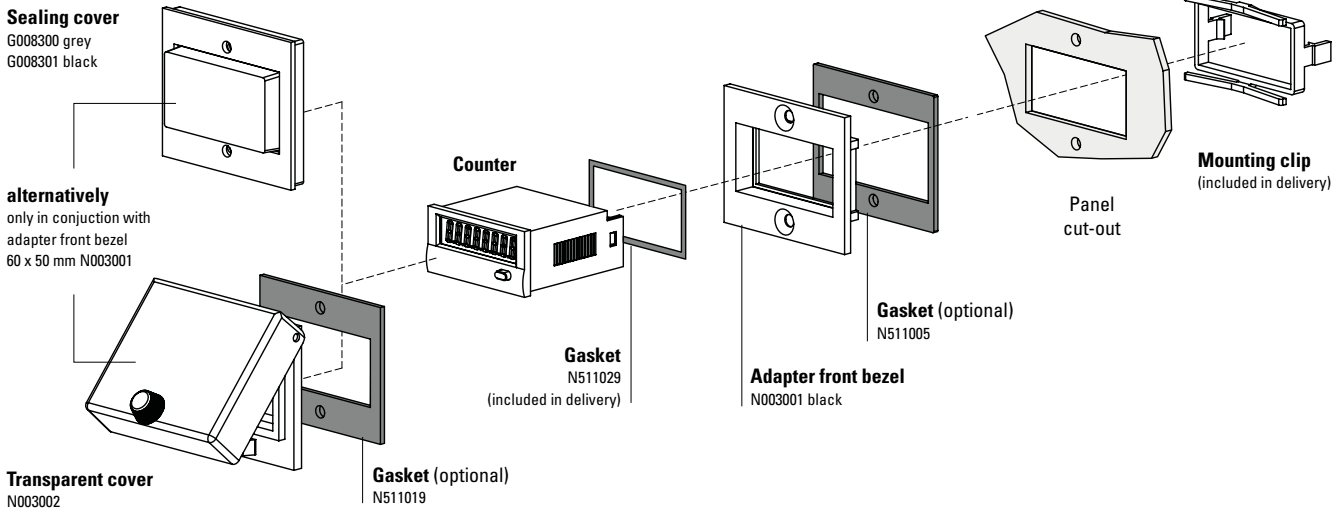
Delivery specification

- Timer
- Mounting clip
- Gasket
- Instruction manual, multilingual
- Front bezel for screw mounting (T008181) 56 x 40 mm [2.20 x 1.57"], panel cut-out 50 x 25 mm [1.97 x 0.98"]
- Front bezel for clip mounting (T008180) 53 x 28 mm [2.09 x 1.10"], panel cut-out 50 x 25 mm [1.97 x 0.98"]

Hour meters / timers, electronic

LED timers	h, min, sec or hh.mm.ss (DC)	Codix 523
-------------------	-------------------------------------	------------------

Accessories / Mounting examples



		Type / size	Description		Order no.	suitable gasket
Adapter front bezel		53 x 28 mm [2.09 x 1.10"]	for cut-out 50 x 25 mm [1.97 x 0.98"] to cut-out 45 x 22.2 mm [1.77 x 0.94"]	black anthracite	T008165 T008180	N511015
		56 x 40 mm [2.20 x 1.57"]	for cut-out 50 x 25 mm [1.97 x 0.98"] to cut-out 45 x 22.2 mm [1.77 x 0.94"] screw mounting	black anthracite	T008161 T008181	N511045
		72 x 36 mm [2.83 x 1.42"]	for cut-out 68 x 33 mm [2.68 x 1.30"] to cut-out 45 x 22.2 mm [1.77 x 0.94"]	black and silver anodised as set	162704Set	–
		60 x 50 mm [2.36 x 1.97"]	for cut-out 54 x 29 mm [2.13 x 1.14"] to cut-out 45 x 22.2 mm [1.77 x 0.94"] screw mounting	black	N003001	N511005
		48 x 48 mm [1.89 x 1.89"]	for cut-out 45 x 45 mm [1.77 x 1.77"] to cut-out 45 x 22.2 mm [1.77 x 0.94"]	black	T008883	–
Sealing cover IP65		K1	only in conjunction with adapter front bezel 60 x 50 mm N003001	transparent / grey	G008300	–
				transparent / black	G008301	
Transparent cover IP65		1 Dv (mounted on bezel)	cover lockable, for cut-out 54 x 29 mm [2.13 x 1.14"], only in conjunction with adapter front bezel 60 x 50 mm N003001	transparent / black	N003002	N511019
Gasket counter			48 x 24 mm (for installation in adapter front bezel) 49 x 25 mm		N511029	
					N511034	
Mounting frame		cut-out 50 x 25 mm [1.97 x 0.98"]	via adapter T008180 for snap-on mounting on 35 mm [1.38"] top-hat DIN rail	chromated	G300004	–
Enclosure blind		48 x 24 mm [1.89 x 0.94"]	for cut-out 45 x 22.2 mm [1.77 x 0.94"] and cut-out 50 x 25 mm [1.97 x 0.98"]	anthracite	G003836	–

incl. in delivery

Hour meters / timers, electronic

LED timers	h, min, sec or hh.mm.ss (DC)	Codix 523
-------------------	-------------------------------------	------------------

Technical data

General technical data	
Display	6 digits, red 7 segment LED display; 8 mm [0.31"] high
Data backup	EEPROM
Operating temperature	10 ... 26 V DC -20 °C ... +65 °C [-4 °F ... +149 °F] > 26 ... 30 V DC -20 °C ... +55 °C [-4 °F ... +131 °F] (non-condensing)
Storage temperature	-25 °C ... +70 °C [-13 °F ... +158 °F]

Electrical characteristics	
Supply voltage	10 ... 30 VDC, with integrated reverse polarity protection
Current consumption	max. 55 mA

Mechanical characteristics	
Housing	front panel mount 48 x 24 mm [1.89 x 0.94"] acc. to DIN 43700; RAL 7021, dark grey
Protection	IP65 (front side)
Weight	approx. 50 g [1.76 oz]
Vibration resistance acc. to EN 60068-2-6	10 ... 55 Hz / 1 mm [0.04"] / 30 min
Shock resistance acc. to EN 60068-2-27	100 G: 2 ms 10 G: 6 ms

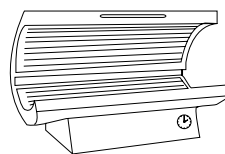
Inputs	
Polarity of inputs	programmable, NPN or PNP for all inputs
Input resistance	approx. 5 kΩ
Resolution	up to 0.001 s
Minimum pulse duration of the reset input	5 ms
Input switching level standard version (HTL)	LOW 0 ... 0.2 x U _B [V DC] HIGH 0.6 x U _B ... 30 V DC
Input switching level at 4 ... 30 V DC	LOW 0 ... 2 V DC HIGH 4 ... 30 V DC
Accuracy	< 50 ppm

Outputs (optional)	
Output power optocoupler	max. 30 V, 10 mA

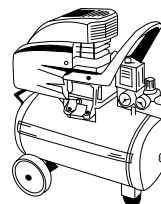
Approvals	
UL compliant in accordance with	File no. E128604
CE compliant in accordance with	
EMC Directive	2014/30/EU
RoHS Directive	2011/65/EU

Applications for time and hour meters, short-time meters

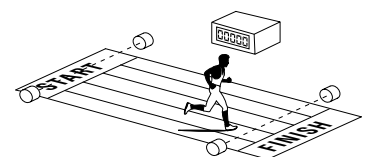
- Time measurements such as hours run recording on all machines and plant, e.g. compressors, solariums, special lights and lamps
- Accessories, OEM equipment or retrofitting to production machine
- Measurement of short times on processes and procedures, time recording (stopwatch function) at sporting events
- Hours run recording for motor vehicles and time monitoring for rally vehicles



Hours run of UV lamps



Operating hours

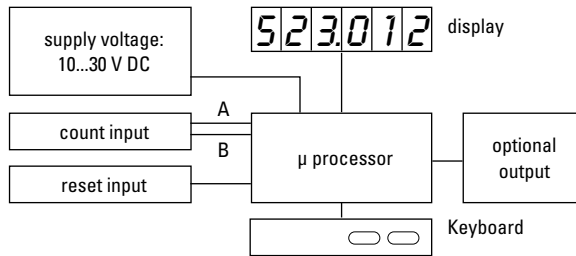


Short time measurement > 1 ms

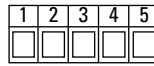
Hour meters / timers, electronic

LED timers **h, min, sec or hh.mm.ss (DC)** **Codix 523**

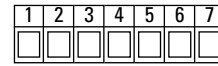
Block diagram



Terminal assignment



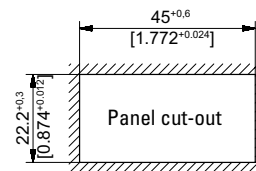
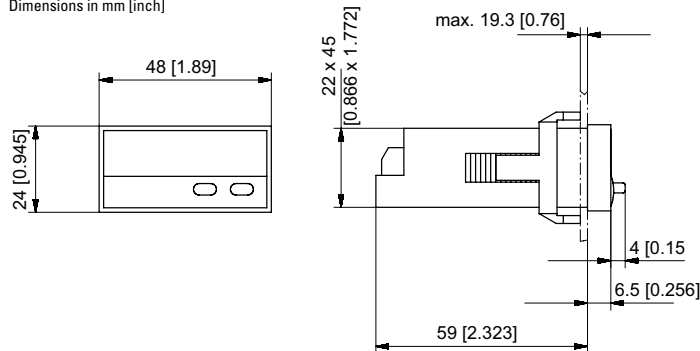
PIN	without optocoupler
1	10 ... 30 V DC
2	0 V GND
3	INP A
4	INP B
5	reset



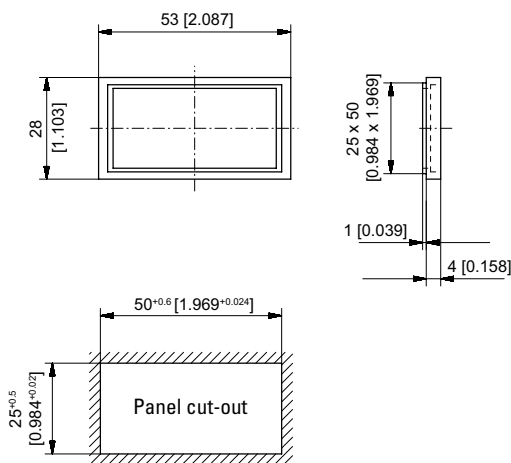
PIN	with optocoupler (NPN)
1	10 ... 30 V DC
2	0 V GND
3	INP A
4	INP B
5	reset
6	emitter
7	collector

Dimensions

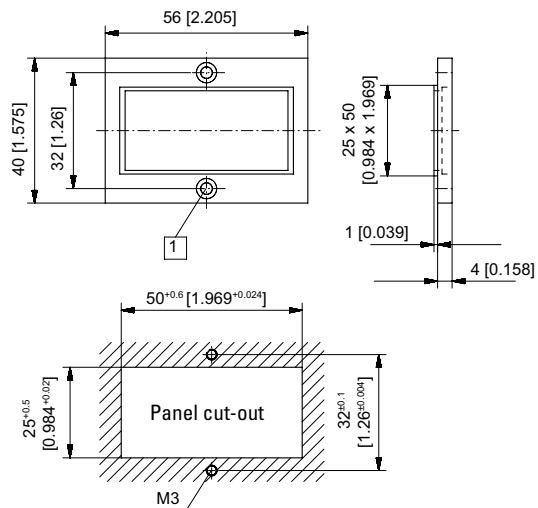
Dimensions in mm [inch]



Front bezel for clip mounting (included in delivery)



Front bezel for screw mounting (included in delivery)



1 Countersinking Af3, DIN 74