

<b>LED dual function displays</b>	<b>Universal with dual functions, 4 combinations (DC)</b>	<b>Codix 52U</b>
-----------------------------------	---	------------------



The Codix 52U is a voltage-powered dual function counter with 4 functions in one device:  
**Counter with 2 totalizing ranges, totalizer and timer, totalizer and frequency meter, timer with 2 time ranges.**  
**For fast and slow count pulses, with 6-digit LED display for NPN, PNP input signals.**



<b>DC</b> 10 ... 30 V Supply voltage	<b>000000</b> DIN 48x24 DIN front bezel	<b>-20...+65°C</b> Temperature range	<b>IP65</b> High protection level	<b>Prog</b> Menu-driven programming	<b>max.</b> 60 kHz Pulse counter/ Totalizer	<b>1/sec - 1/min</b> Frequency meter/ tachometer	<b>t</b> Timer	<b>HRA</b> Frequency meter HRA
--	---	---	--------------------------------------	--	---	---	-------------------	-----------------------------------

### Powerful

- Fast count and frequency input – input frequency max. 60 kHz (can be damped to 30 Hz for mechanical contacts).
- Robust housing – IP65 protected.
- Very bright LED display, 8 mm high, 6 digits.
- Very accurate precise frequency measurement principle (HRA-High Rate Accuracy System)  
 Frequencies up to 38 Hz are calculated using time-interval (period duration) measurement. Frequencies > 38 Hz are calculated using a special time base (gate time) measurement. A very high accuracy of < 0.1 % is achieved, even with very short gate times. The resulting measurement is available after a max. of 50 ms.
- Short start-up time – detects input pulses just 16 msec after being switched on => no pulses are lost with a simultaneous motor start-up.

### User-friendly and universal

- Large keys – can also be operated when wearing gloves.
- Programming:
  - Simple uniform menu-driven programming and operation.
  - Possible to enter the programming also during operation with a confirmation prompt.
  - Pressing the right key switches between displays.
- Individually programmable scaling: multiplication and division factor (0.0001 ... 99.9999), to display corresponding engineering units, e.g. position in 1/10 mm and speed in RPM.
- Separate factors for frequency- and pulse counting.
- Inputs: as an alternative to the HTL inputs, devices are available with a 4 ... 30 V DC input level, for use as parallel displays to PLCs.
- Timer specials: timer or hours-run meter with various Start/Stop measurements, time range settings in hours, minutes or seconds, with decimal point. Resolutions up to 1/1000 can be programmed.

<b>Order code</b>	<b>6.52U . 01 2 . 3 X 0</b>
-------------------	-----------------------------

**a** Input switching level  
 0 = Standard (HTL)  
 A = 4 ... 30 V DC

**Delivery specification**

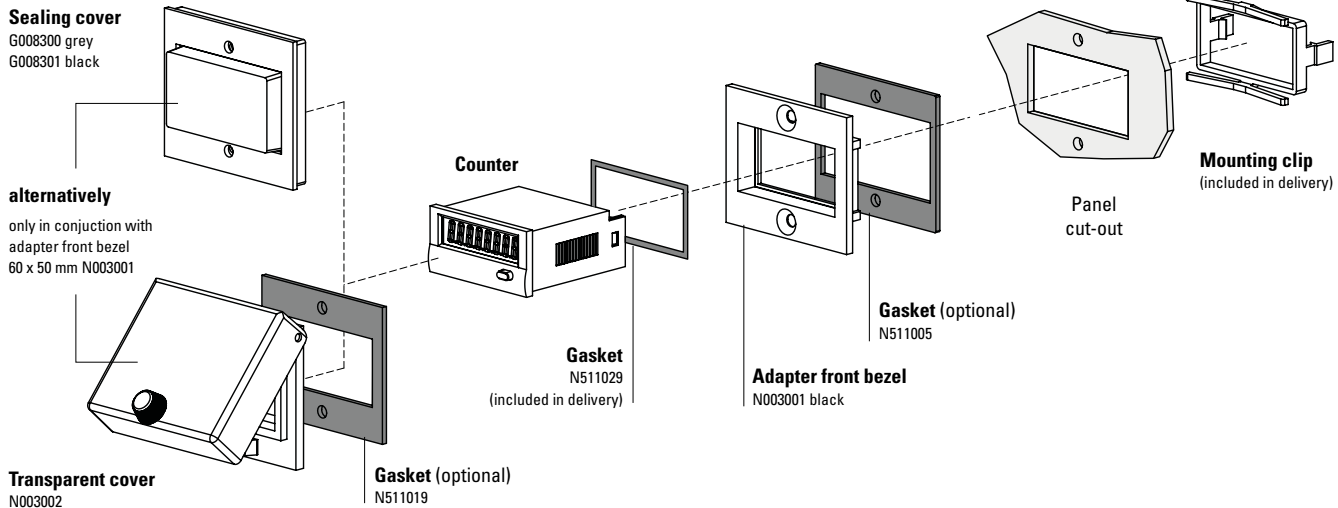
- Counter
- Mounting clip
- Front bezel for screw mounting (T008181) 56 x 40 mm [2.20 x 1.57"], panel cut-out 50 x 25 mm [1.97 x 0.98"]
- Front bezel for clip mounting (T008180) 53 x 28 mm [2.09 x 1.10"], panel cut-out 50 x 25 mm [1.97 x 0.98"]
- Gasket
- Instruction manual, multilingual

**Stock types**  
**6.52U.012.300**

# Multifunction devices, electronic

**LED dual function displays**      **Universal with dual functions, 4 combinations (DC)**      **Codix 52U**

**Accessories / Mounting examples**



		Type / size	Description		Order no.	suitable gasket
<b>Adapter front bezel</b>		<b>53 x 28 mm</b> [2.09 x 1.10"]	for cut-out 50 x 25 mm [1.97 x 0.98"] to cut-out 45 x 22.2 mm [1.77 x 0.94"]	black anthracite	<b>T008165</b> <b>T008180</b>	<b>N511015</b>
		<b>56 x 40 mm</b> [2.20 x 1.57"]	for cut-out 50 x 25 mm [1.97 x 0.98"] to cut-out 45 x 22.2 mm [1.77 x 0.94"] screw mounting	black anthracite	<b>T008161</b> <b>T008181</b>	<b>N511045</b>
		<b>72 x 36 mm</b> [2.83 x 1.42"]	for cut-out 68 x 33 mm [2.68 x 1.30"] to cut-out 45 x 22.2 mm [1.77 x 0.94"]	black and silver anodised as set	<b>162704Set</b>	–
		<b>60 x 50 mm</b> [2.36 x 1.97"]	for cut-out 54 x 29 mm [2.13 x 1.14"] to cut-out 45 x 22.2 mm [1.77 x 0.94"] screw mounting	black	<b>N003001</b>	<b>N511005</b>
		<b>48 x 48 mm</b> [1.89 x 1.89"]	for cut-out 45 x 45 mm [1.77 x 1.77"] to cut-out 45 x 22.2 mm [1.77 x 0.94"]	black	<b>T008883</b>	–
<b>Sealing cover IP65</b>		<b>K1</b>	only in conjunction with adapter front bezel 60 x 50 mm N003001	transparent / grey	<b>G008300</b>	–
				transparent / black	<b>G008301</b>	
<b>Transparent cover IP65</b>		<b>1 Dv</b> (mounted on bezel)	cover lockable, for cut-out 54 x 29 mm [2.13 x 1.14"], only in conjunction with adapter front bezel 60 x 50 mm N003001	transparent / black	<b>N003002</b>	<b>N511019</b>
<b>Gasket counter</b>			48 x 24 mm (for installation in adapter front bezel) 49 x 25 mm		<b>N511029</b>	
					<b>N511034</b>	
<b>Mounting frame</b>		<b>cut-out</b> <b>50 x 25 mm</b> [1.97 x 0.98"]	via adapter T008180 for snap-on mounting on 35 mm [1.38"] top-hat DIN rail	chromated	<b>G300004</b>	–
<b>Enclosure blind</b>		<b>48 x 24 mm</b> [1.89 x 0.94"]	for cut-out 45 x 22.2 mm [1.77 x 0.94"] and cut-out 50 x 25 mm [1.97 x 0.98"]	anthracite	<b>G003836</b>	–

incl. in delivery

# Multifunction devices, electronic

<b>LED dual function displays</b>	<b>Universal with dual functions, 4 combinations (DC)</b>	<b>Codix 52U</b>
-----------------------------------	---	------------------

## Technical data

General technical data	
<b>Display</b>	6 digits, red 7 segment LED display; 8 mm [0.32"] high
<b>Data backup</b>	EEPROM
<b>Operating temperature</b>	10 ... 26 V DC    -20 °C ... +65 °C [-4 °F ... +149 °F] > 26 ... 30 V DC    -20 °C ... +55 °C [-4 °F ... +131 °F] (non-condensing)
<b>Storage temperature</b>	-25 °C ... +70 °C [-13 °F ... +158 °F]

Electrical characteristics	
<b>Supply voltage</b>	10 ... 30 VDC, with integrated reverse polarity protection
<b>Current consumption</b>	max. 40 mA

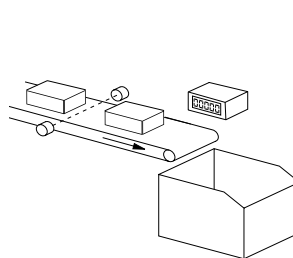
Mechanical characteristics	
<b>Housing</b>	front panel mount 48x24 mm [1.89 x 0.94"] acc. to DIN 43700; RAL 7021, dark grey
<b>Protection</b>	IP65 (front side)
<b>Weight</b>	approx. 50 g [1.76 oz]
<b>Vibration resistance</b> acc. to EN 60068-2-6	10 ... 55 Hz / 1 mm [0.04"] / 30 min
<b>Shock resistance</b> acc. to EN 60068-2-27	100 G: 2 ms 10 G: 6 ms

Inputs	
<b>Polarity of inputs</b>	programmable, NPN or PN
<b>Input resistance</b>	approx. 5 kΩ
<b>Counting frequency</b> <sup>1)</sup>	max. 60 kHz, can be damped to 30 Hz
<b>Display range</b>	timer    0.001 s ... 999999 h frequency meter    1/min or 1/sec
<b>Minimum pulse duration of the reset input</b>	5 ms
<b>Input switching level (HTL)</b>	LOW    0 ... 0.2 x U <sub>B</sub> [V DC] HIGH    0.6 x U <sub>B</sub> ... 30 V DC
<b>Input switching level at 4 ... 30 V DC</b>	LOW    0 ... 2 V DC HIGH    4 ... 30 V DC
<b>Accuracy</b>	< 0.1 % frequency meter, tachometer

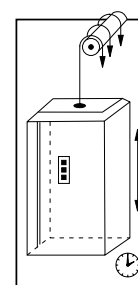
Approvals	
<b>UL compliant</b> in accordance with	File no. E128604
<b>CE compliant</b> in accordance with	
EMC Directive	2014/30/EU
RoHS Directive	2011/65/EU

### Applications for dual functions

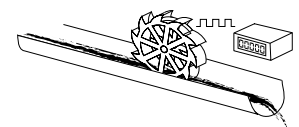
- Pulse and frequency (speed)  
e.g. production data acquisition: total piece count and speed on OEM equipment, flow rate measuring systems – total flow and current flow
- 2 pulse counters  
Measurement of batch and total piece count or of daily production count and total count values
- Pulse and time (maintenance counter)  
Used in the lift industry as trip counters and hours-run meters and on production machines for piece and time counting, flow and time measurement, materials handling time and quantities
- 2 timers  
Measurement of total time and orderspecific times, maintenance intervals and total time, time of day and total time



Piece count on conveyor and production speed



Trip counter and hours-run



Flow rate and total volume

1) Details see manual

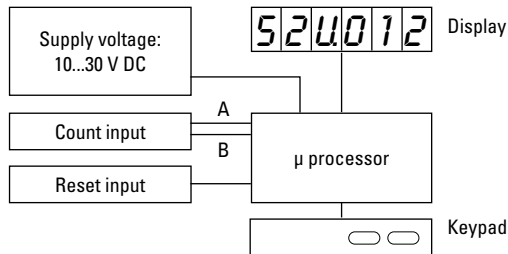
# Multifunction devices, electronic

**LED dual function displays**

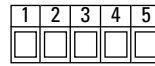
**Universal with dual functions, 4 combinations (DC)**

**Codix 52U**

## Block diagram



## Terminal assignment



PIN	DC version
1	10 ... 30 V DC
2	0 V GND
3	INP A
4	INP B
5	Reset

Function of the inputs INP A, INP B

### Counter with 2 totalizing ranges:

INP A: Dynamic count input counter 1 and counter 2

INP B: Inactive

### Totalizer and timer:

INP A: Dynamic count input for totalizer

INP B: Start/Stop or gate input for timer

### Totalizer and frequency meter:

INP A: Dynamic count input/frequency input

INP B: Inactive

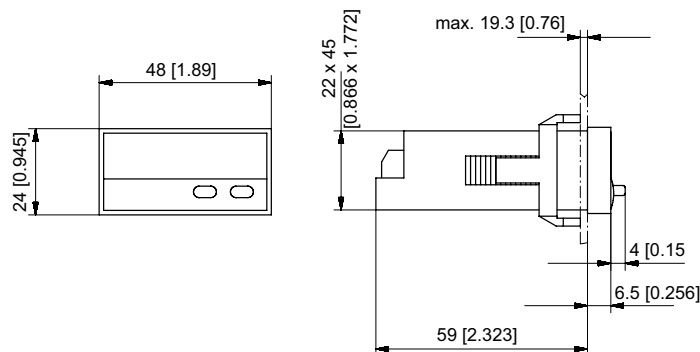
### Timer with 2 time ranges:

INP A: Start input (depends on input type)

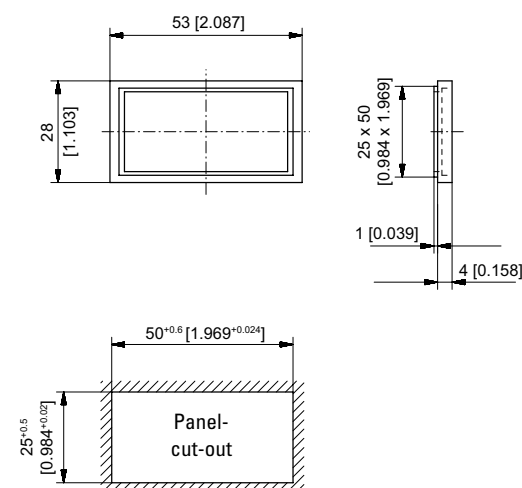
INP B: Start/Stop or gate input for timer (depends on input type)

## Dimensions

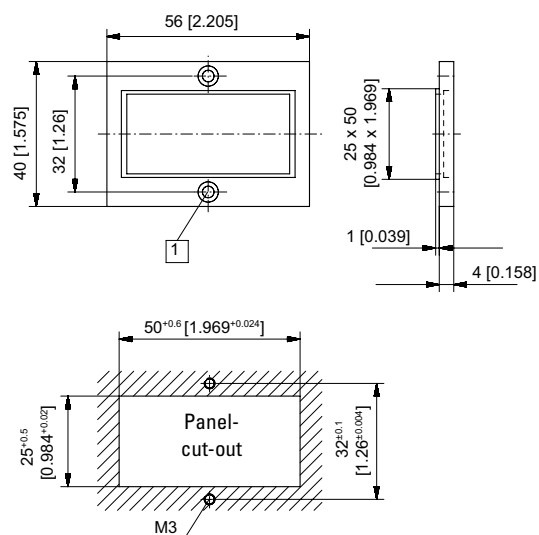
Dimensions in mm [inch]



### Front bezel for clip mounting (included in delivery)



### Front bezel for screw mounting (included in delivery)



1 Countersinking Af3, DIN 74