

Hour meters / timers, electromechanical

| | | |
|-------------------------------|--|-------------|
| Dual function counters | Pulse + time / 2 x time (AC+DC) | HC77 |
|-------------------------------|--|-------------|



The counter combinations HC77 and HC77.55 comprise an hour meter and a totalizer. They can be controlled both simultaneously and separately.

These panel mount counters have a reduced mounting depth. They can be used in many different fields of application.

Optionally with 2 hour meters on request.

Characteristics

- Hour meter and totalizer in one single device.
- Without reset.
- High shock resistance.
- Magnified large figures.
- Protection IP52 front side (optional IP65).
- Data retention in case of power failure.
- UL-approved.

Benefits

- Long service life.
- Optional: counters controlled separately.

Applications

General time measurement, maintenance intervals for measuring instruments (respiration units, oxygen, dialysis), small appliances, UV lamps, display panels in vehicles, lifts, heating burners.

Type series

| Description | Type |
|--|----------------|
| Dual function counter 48 x 48 mm [1.89 x 1.89"] | HC77 |
| With adapter front bezel 55 x 55 mm [2.17 x 2.17"] | HC77.55 |

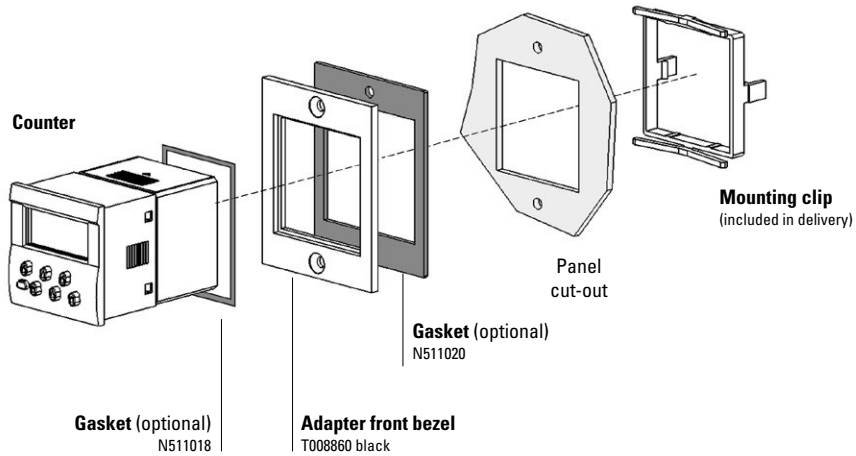
Order information:

Art. no. (for special voltages etc. indicate exact model, voltage and frequency
e.g. HC77, 120 V AC, 60 Hz)

Hour meters / timers, electromechanical

Dual function counters **Pulse + time / 2 x time (AC+DC)** **HC77**

Accessories / Mounting examples



| | | Type / size | Description | | Order no. | suitable gasket |
|----------------------------|--|---|---|------------------------------|--|-----------------|
| Adapter front bezel | | 55 x 55 mm [2.17 x 2.17] | for cut-out 50 x 50 mm [1.97 x 1.97"] or ø 50,5 mm [1.99"] to cut-out 45 x 45 mm [1.77 x 1.77"] | grey black | T008170 T008171 | N511017 |
| | | 55 x 55 mm [2.17 x 2.17] | for cut-out 50 x 50 mm [1.97 x 1.97"] to cut-out 45 x 45 mm [1.77 x 1.77"] | black | T008853 | N511004 |
| | | 60 x 75 mm [2.36 x 2.95] | for cut-out 50 x 50 mm [1.97 x 1.97"] to cut-out 45 x 45 mm [1.77 x 1.77"] | black | T008860 | N511020 |
| | | 72 x 72 mm [2.83 x 2.83] | for cut-out 68 x 68 mm [2.68 x 2.68"] to cut-out 45 x 45 mm [1.77 x 1.77"] | grey black Mating clip | T008176 T008177 T009420 | N511016 |
| | | ø 72 mm [2.83] | for cut-out ø 60 mm [2.36"] to cut-out 45 x 45 mm [1.77 x 1.77"] | black | N510226 | – |
| Gasket counter | | | 48 x 48 mm (for installation in adapter front bezel) | | N511018 | |

Hour meters / timers, electromechanical

| | | |
|-------------------------------|--|-------------|
| Dual function counters | Pulse + time / 2 x time (AC+DC) | HC77 |
|-------------------------------|--|-------------|

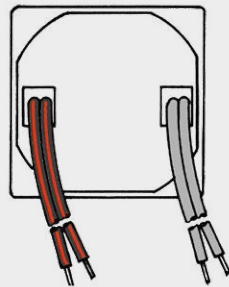
Technical data

| Electrical characteristics | | |
|------------------------------|---|---|
| Electrical connection | screw terminal (tightening torque max. 0.8 Nm) | |
| Power consumption | 10 ... 30 V DC | approx. 1 W |
| | 36 ... 80 V DC | approx. 1.65 W |
| | 100 ... 130 V DC | approx. 1.75 W |
| | 20 ... 30 V AC, 50 Hz | approx. 0.53 VA |
| | 42 ... 48 V AC, 50 Hz | approx. 0.53 VA |
| | 100 ... 130 V AC, 50 Hz | approx. 1.43 VA |
| | 187 ... 264 V AC, 50 Hz | approx. 3.0 VA |
| Rated voltages | AC (50 or 60 Hz) | 20 ... 30/42 ... 48/100 ... 130/187 ... 264 V |
| | DC | 10 ... 30/36 ... 80/100 ... 130 V |
| On time | 100 % | |
| Count mode | adding | |
| Accuracy | AC | supply frequency + 30 ms |
| | DC | < 0.003 % (at 24 h) |
| Reset | no reset | |
| Device safety | designed to protection class | EN 61010 part 1 2 |
| | application area | pollution level 2 |

| General technical data | | |
|--|---|--|
| Operating indicator of the running time meter | AC | fast rotating wheel with red dashes: 99999.99 h |
| | DC | 1/100 h display turns continuously by 1 digit in 36 s: 999999.99 h |
| Height of figures | 4 x 1.7 mm [0.16 x 0.067"] optical | |
| Color of figures | hour meter | hour: white on black decimal: red on black |
| | pulse counter | white on black |
| Operating temperature | -15 °C ... +50 °C [+5 °F ... +122 °F] (non-condensing) | |
| Relative humidity at +30 °C [+86 °F] | ≤ 80 % (non-condensing) | |
| Altitude | up to 2000 m [6562'] | |
| Mounting position | any | |

| Mechanical characteristics | |
|----------------------------|------------------------------------|
| Protection | IP52 (front side) when built in |
| Housing color | black (standard) |
| Weight | HC77 65 g [2.29 oz] |
| | plug in frame 55 8 g [0.28 oz] |
| | plug in frame 72 13 g [0.46 oz] |

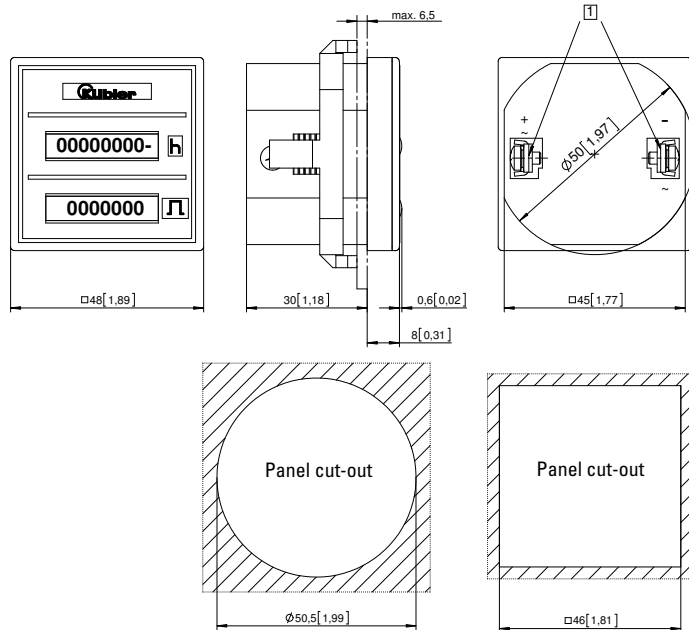
| Approvals | |
|--|------------------|
| UL compliant in accordance with | File no. E128604 |
| CE compliant in accordance with | |
| EMC Directive | 2014/30/EU |
| RoHS Directive | 2011/65/EU |
| Low Voltage Directive | 2014/35/EU |

| Options | | |
|--|---|----------------------------------|
| Housing color | grey | Art. no. 3.55X.400.XXX |
| Flat pin 0.8 x 6,3 mm [0.031 x 0.25"] | | Art. no. 3.55X.40X.XXX.011 |
| Separate connections for running meter and adding counter | | Art. no. 3.55X.40X.XXX.060 |
| available for AC or DC (not mixed) adding counter max. 10 Hz electrical connection: 2 x cable 2 x 0,5 mm ² [AWG20], NYFAZ, 0,5 m [1.64'] long | | |
| hour meter 2 x cable red/black |  | adding counter 2 x cable grey |
| Sealed window (IP65 front side) with: | | |
| screw terminal | | Art. no. 3.55X.40X.XXX.419 |
| flat pin 0.8 x 6.3 mm [0.031 x 0.25"] | | Art. no. 3.55X.40X.XXX.062 |
| Separated connections (cable) | | Art. no. 3.55X.40X.XXX.061 |
| Counter combination with 2 hour meters | 10 ... 30 V DC | |
| 2 x cable 2 x 0,5 mm ² | | Art. no. 3.554.401.351.060 |
| spring-type terminal | | on request |

Hour meters / timers, electromechanical

Dual function counters **Pulse + time / 2 x time (AC+DC)** **HC77**

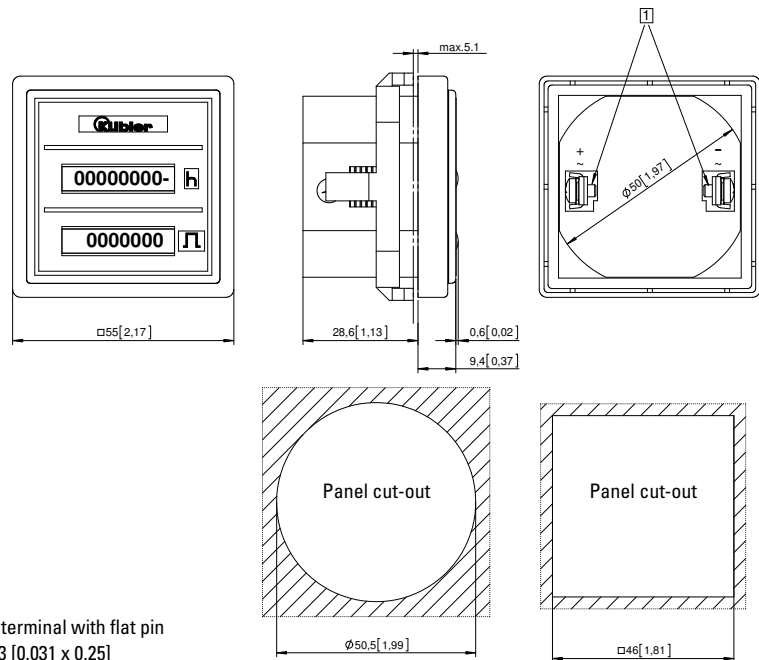
Dual function counter 48 x 48 [1.89 x 1.89"]
Type HC77



1) Screw terminal with flat pin
0.8 x 6.3 [0.031 x 0.25]

| Type | Display | Voltage | Art. no. | | | | | |
|------------------------|------------|------------|-----------------------------|---------------|---------------|---------------|---------------|-----------------------------|
| | | | 10 ... 30 V | 20 ... 30 V | 36 ... 80 V | 42 ... 48 V | 100 ... 130 V | 187 ... 264 V |
| HC77 | 7/8 digits | AC (50 Hz) | | 3.550.401.071 | | 3.550.401.072 | 3.550.401.074 | 3.550.401.075 ¹⁾ |
| | 7/8 digits | AC (60 Hz) | | 3.550.401.081 | | 3.550.401.082 | 3.550.401.084 | 3.550.401.085 |
| | 7/8 digits | DC | 3.550.401.351 ¹⁾ | | 3.550.401.353 | | 3.550.401.381 | |
| Color of housing grey: | | | Art. no. | | 3.550.400.XXX | | | |

Dual function counter 48 x 48 [1.89 x 1.89"]
with adapter front bezel 55 x 55 [2.17 x 2.17"]
Type HC77.55



1) Screw terminal with flat pin
0.8 x 6.3 [0.031 x 0.25]

| Type | Display | Voltage | Art. no. | | | | | |
|------------------------|------------|------------|---------------|---------------|---------------|---------------|---------------|---------------|
| | | | 10 ... 30 V | 20 ... 30 V | 36 ... 80 V | 42 ... 48 V | 100 ... 130 V | 187 ... 264 V |
| HC77.55 | 7-8 digits | AC (50 Hz) | | 3.551.401.071 | | 3.551.401.072 | 3.551.401.074 | 3.551.401.075 |
| | 7/8 digits | AC (60 Hz) | | 3.551.401.081 | | 3.551.401.082 | 3.551.401.084 | 3.551.401.085 |
| | 7/8 digits | DC | 3.551.401.351 | | on request | | 3.551.401.381 | |
| Color of housing grey: | | | Art. no. | | 3.551.400.XXX | | | |