

Hour meters / timers, electromechanical

Micro timers	High shock resistance (DC)	HK47
---------------------	-----------------------------------	-------------



The micro timers HK47 have a very high shock resistance.

Available as panel and PCB mount versions, they can be used in many different fields of application. Thanks to their encapsulated housing, these non-resettable counters are extremely tamper-proof.



Characteristics

- 7-digit micro hour meter.
- Low cost.
- High shock resistance.
- Small dimensions.
- Magnified large figures.
- Different reading possibilities.
- Panel-mount counter with integrated spring clip (HK47.20).
- PCB mount counter (HK47.80).

Benefits

- Low power consumption; suitable for battery operation.
- Solderable and wash-proof (HK47.80).
- Data retention in case of power failure.
- Long service life.

Applications

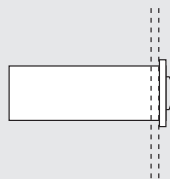
Time registration, maintenance intervals for measuring instruments (respiration units, oxygen, dialysis), small appliances, UV lamps, display panels.

Type series

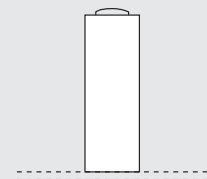
Fig.	Mounting options	Display	Protection	El. connection	Type
1)	Panel mount with latch	front side	IP65, front side	flying leads	HK47.20
2)	PCB mount, upright	front side	IP65, front side/on rear	solder pins	HK47.80

Mounting options and position of the display

1) Panel mount
display front side



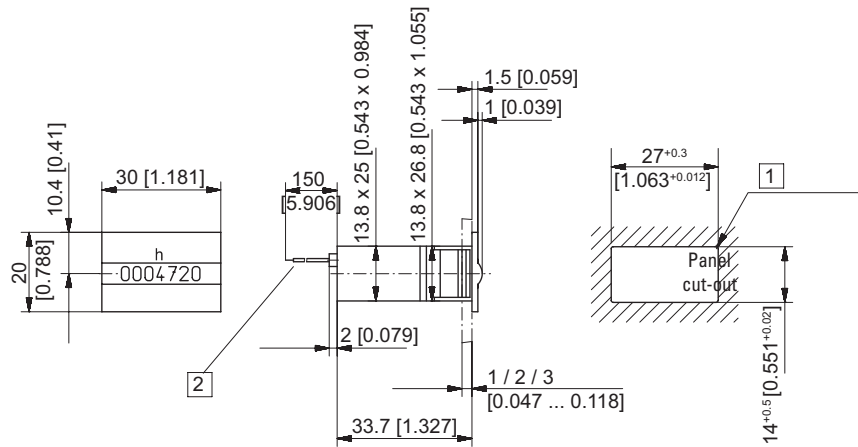
2) PCB mount, upright
display front side



Hour meters / timers, electromechanical

Micro timers	High shock resistance (DC)	HK47
---------------------	-----------------------------------	-------------

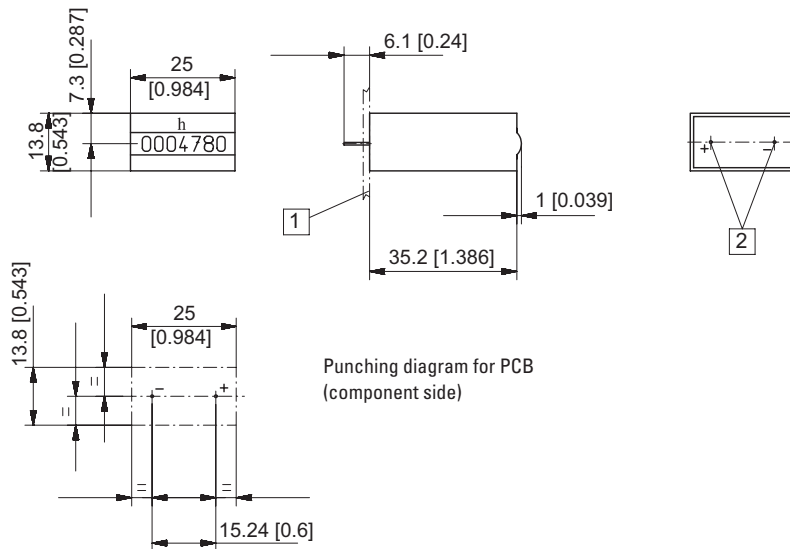
Panel mount
with injection-moulded spring-clips
Type **HK47.20**



[1] R_{max} 0.5 [2] Flying leads AWG 22 (red+ / black-)

Type	Display	Art. no.
HK47.20	99999.99 h	4.5 ... 35 V DC 3.060.200.383

PCB mount
Type **HK47.80**



Punching diagram for PCB
(component side)

[1] PCB [2] Solder pins \varnothing 0.64 [0.025]

Type	Display	Art. no.
HK47.80	99999.99 h	4.5 ... 35 V DC 3.060.800.383