

Hour meters / timers, electromechanical

Timers, round design	High protection rating (AC+DC)	HR76
-----------------------------	---------------------------------------	-------------



The hour meter HR76 feature a very high shock resistance.

These panel-mount counters for round panel cut-outs can be used in many different fields of application. These non-resettable counters are very robust and extremely tamper-proof.

Characteristics

- 6-digit hour meter.
- Low cost.
- High shock resistance.
- Low energy consumption.
- Magnified large figures.
- Protection IP65.
- Data retention in case of power failure.
- Long service life.

Benefits

- 50/60 Hz in the same device.
- Small mounting depth.
- Waterproof on the front and on the rear.


Applications

Operating hours measurement with construction and agricultural machinery, compressors, power units.

Type series

Description	Mounting	Type
Timer, round	screw mounting front side	HR76.1
Timer, round	clip mounting	HR76.2

Accessories

		Type / size	Description		Order no.
Mounting support (only HR76.2)			for round counters with cutout ø 53 mm	black	N510199
Gasket counter (only HR76.1)		ø 71,1 mm [2.80"]	for cut-out ø 50 mm		N511150

Hour meters / timers, electromechanical

Timers, round design	High protection rating (AC+DC)	HR76
-----------------------------	---------------------------------------	-------------

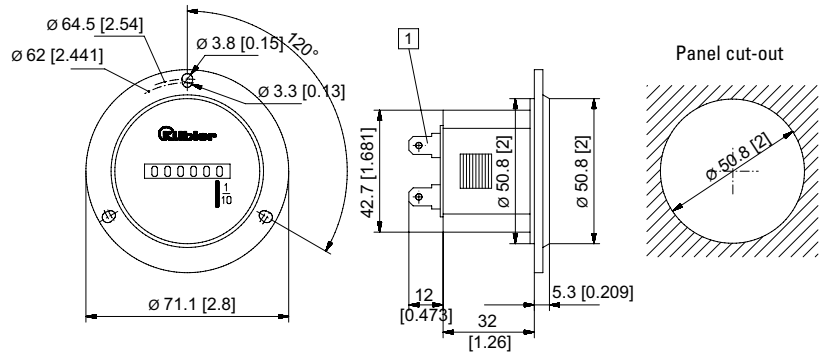
Technical data		
Electrical connection	flat pin 0.8 x 6.3 mm [0.031 x 0.25"]	
Power consumption	AC	max. 0.4 VA
	12 V DC	max. 0.08 W
	48 V DC	max. 0.7 W
Rated voltages	AC (50 or 60 Hz)	115/230 V AC, ±10 %, 50/60 Hz
	DC	10 ... 80 V DC
On time	100 %	
Number of digits	6: 99999.9 h	
Count mode	adding	
Height of figures	3.5 mm [0.14"] heigh	
Color of figures	hours	white on black
	minutes	black on white
Reset	no reset	
Operating temperature	-30 °C ... +65 °C [-22 °F ... +185 °F] (non-condensing)	
Storage temperature	-40 °C ... +85 °C [-40 °F ... +149 °F]	
Relative humidity at +25 °C [+77 °F]	≤ 95 % (non-condensing)	
Altitude	up to 2000 m [6562']	
Mounting position	any	
Protection	IP65 (except the connections)	
Housing	plastic PC (Polycarbonate)	
Accuracy	< 0.02 % over the full range	
Weight	HR76.1	56 g [1.98 oz]
	HR76.2	54 g [1.91 oz]
Device safety	designed to	EN 61010 part 1
	protection class	2
	application area	pollution level 2

Approvals		
UL compliant in accordance with	File no. E128604	
CE compliant in accordance with	EMC Directive	2014/30/EU
	RoHS Directive	2011/65/EU
	Low Voltage Directive	2014/35/EU

Hour meters / timers, electromechanical

Timers, round design **High protection rating (AC+DC)** **HR76**

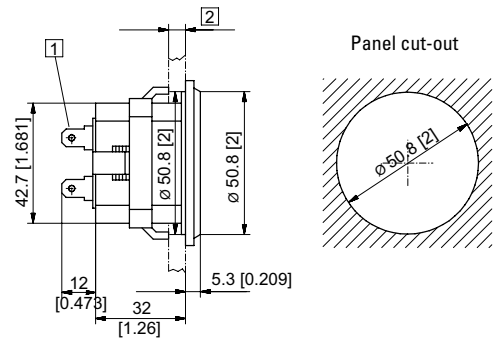
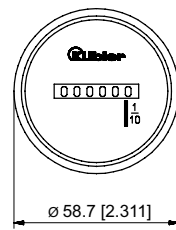
Timer, round screw mounting front side
Type HR76.1



1) Electrical connection: flat pin 0.8 x 6.3 [0.031 x 0.25]

Type	Display	Voltage	Art. no.			
			10 ... 80 V DC	115 V	230 V	
HR76.1	6 digits	AC (50/60 Hz)		0.135.100.301	0.135.100.302	Gasket for front bezel N511150 not included in delivery
	6 digits	DC	0.135.100.373 ¹⁾			

Timer, round clip mounting
Type HR76.2



For mounting the counter onto a flat plate, see accessories chapter
Art. no.: N510199

1) Electrical connection: flat pin 0.8 x 6.3 [0.031 x 0.25] 2) max. 9 [035]

Type	Display	Voltage	Art. no.			
			10 ... 80 V DC	115 V	230 V	
HR76.2	6 digits	AC (50/60 Hz)		0.135.200.301 ¹⁾	0.135.200.302	Gasket integrated in counter
	6 digits	DC	0.135.200.373 ¹⁾			