

Time preset counters, electromechanical

Standard time preset counters	Adding with mechanical reset (AC+DC)	HVa 15
-------------------------------	--------------------------------------	--------



The time preset counters HVa 15 (with manual reset) have a robust construction. They are used in harsh industrial environments as single counters or in combination, as a plug-in version, with other B, BVa, HB or HVa counters. They display the current counter value and the preset value.

Characteristics

- 5-digit adding time preset counter with stationary preset.
- Manual reset.
- Potential-free changeover contact (microswitch) when the preset time is reached.
- Contact remains switched until reset occurs.
- Counter without front bezel, for mounting in front bezel F2B; can be combined in 50 x 50 mm size.

Benefits

- Can be combined with the counters of the B, BVa, HB and HVa series.
- Counter value and preset value are constantly displayed.
- Versions with transparent cover, sealing cover, lockable zero reset.

Applications

Time control, automation.

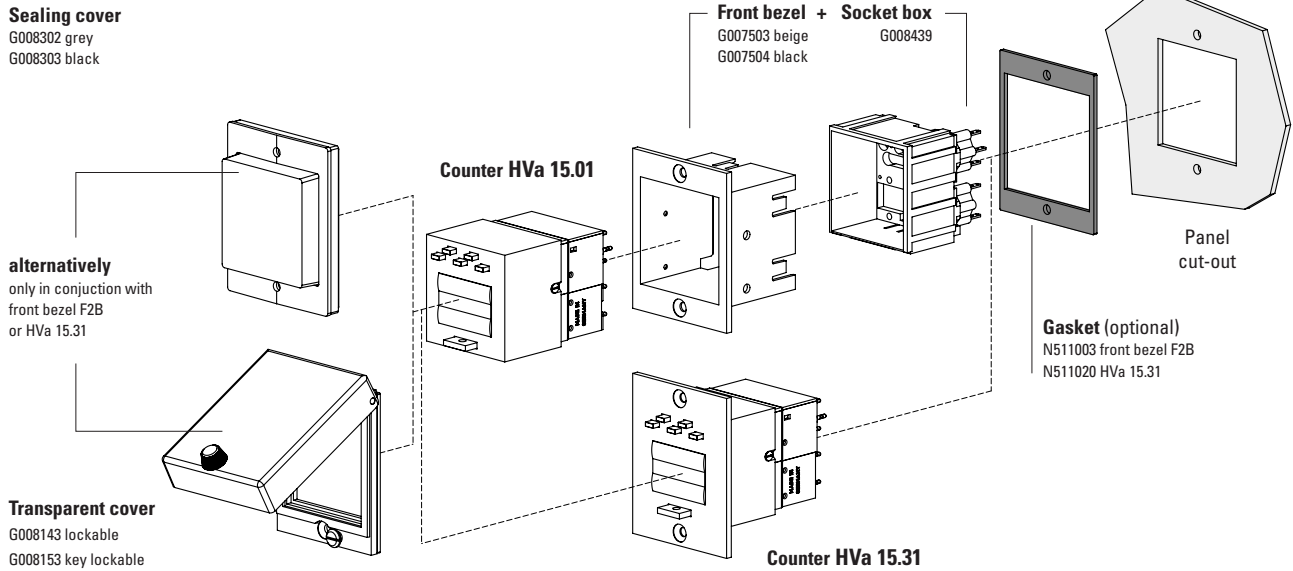
Type series

Description	Type	Options
Mounting clip	HVa 15.21	· Lockable 0-reset
Front bezel 3, with mounting holes	HVa 15.31	· Housing: black (standard) Art. no. 3.30X.X17.XXX grey Art. no. 3.30X.X16.XXX
		· HVa 15.01 (without front bezel) - plugs into socket box 946.1 - DIN Rail mount SR 3
		Housing black (standard) Art. no. 3.300.011.XXX grey Art. no. 3.300.010.XXX

Time preset counters, electromechanical

Standard time preset counters **Adding with mechanical reset (AC+DC)** **HVa 15**

Accessories / Mounting examples



		Type / size	Description		Order no.	suitable gasket
Front bezel		F2B	for counter HVa 15.01 for cut-out 54 x 49 mm (only in conjunction with socket box G008439)	beige black	G007503 G007504	N511003
Socket box		946.1	for plug-in connection in front bezel F2B	black	G008439	–
Sealing cover IP65		K2	for counter HVa 15.31 or for counter HVa 15.01 in conjunction with front bezel F2B	transp. /grau transp. /black	G008302 G008303	–
Transparent cover IP65 with gasket		2 Dv verriegelbar	cover lockable for counter HVa 15.31 or for counter HVa 15.01 in conjunction with front bezel F2B	transp. /black	G008143	–
		2 Dvs verschließbar	cover key lockable for counter HVa 15.31 or for counter HVa 15.01 in conjunction with front bezel F2B	transp. /black	G008153	–
Gasket counter			58 x 58 mm [2.28 x 2.28"] 60 x 75 mm [2.36 x 2.95"]	HVa 15.21 HVa 15.31	N511004 N511020	
DIN rail mount		SR 3	for snap-on mounting on 35 mm [1.38"] top-hat DIN rail		G300002	
Key for key-locking zero reset					G050265	

Time preset counters, electromechanical

Standard time preset counters	Adding with mechanical reset (AC+DC)	HVa 15
--------------------------------------	---	---------------

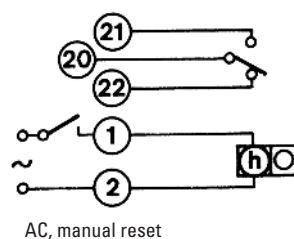
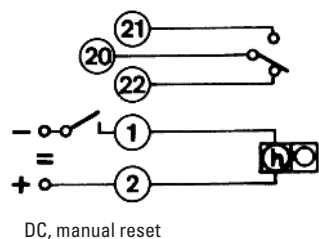
Technical data

General technical data		
Color of figures	hours	figures white on black
	1/10 and 1/100 h	figures red on white
preset	hours	figures yellow on black
	1/10 and 1/100 h	figures red on white (approx. 4 mm [0.16"] high)
Reset	manual	
Mounting position	any	
Operating temperature	-15 °C ... +50 °C [+5 °F ... +122 °F] (non-condensing)	
Relative humidity at +30 °C [+86 °F]	≤ 80 % (non-condensing)	
Altitude	up to 2000 m [6562']	
Gasket	oil and gasoline-resistant synthetic rubber, particularly suitable for use with acids and alkalis, very good age stability	

Mechanical characteristics		
Protection		IP42 (front side)
	sealing cover K1	IP65 (front side)
	transparent cover Dv and Dvs	IP65 (front side)
Color of housing	black (standard)	
EMC standards	EN 55011 class B EN 61000-6-2, EN 61000-6-3	
Device safety	designed to	EN 61010 part 1
	protection class	2
	application area	pollution level 2

Electrical characteristics		
Switching contact		1 changeover contact (micro switch) release at the preset time
	loading capacity at AC	max. 250 V, max. 2 A
	loading capacity at DC (ohmic load)	24 V max. 2.0 A
		60 V max. 0.7 A
		115 V max. 0.4 A
		230 V max. 0.2 A
With inductive load, spark quenching is required reducing the max. current to 60 %		
Test voltage	2000 V AC, 50 Hz for AC counter	
Electrical connection	tinned round pins ø 1.6 mm [0.063"], with push on connectors	
Power consumption	10 ... 30 V DC	approx. 0.5 W
	36 ... 80 V DC	approx. 0.9 W
	100 ... 130 V DC	approx. 0.75 W
	20 ... 30 V AC, 50 Hz	approx. 0.3 VA
	42 ... 48 V AC, 50 Hz	approx. 0.25 VA
	100 ... 130 V AC, 50 Hz	approx. 0.6 VA
	187 ... 264 V AC, 50 Hz	approx. 1.2 VA
360 ... 440 V AC, 50 Hz	approx. 1.65 VA	
Rated voltages	AC (50 or 60 Hz)	20 ... 30/42 ... 48/100 ... 130/187 ... 264, 360 ... 440 V
	DC	10 ... 30/36 ... 80/100 ... 130
On time	100 %	
Count mode	adding	
Count range	AC	999.99 h
	DC	9999.9 h

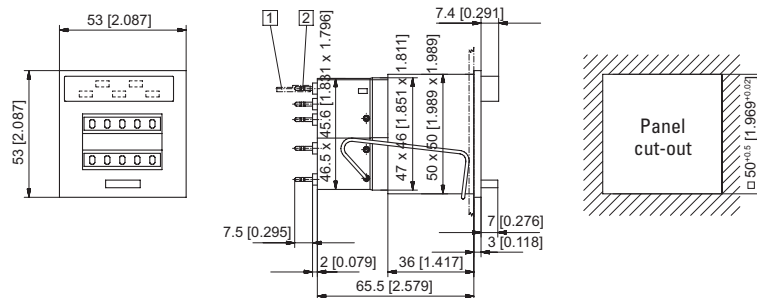
Terminal assignment



Time preset counters, electromechanical

Standard time preset counters Adding with mechanical reset (AC+DC) HVa 15

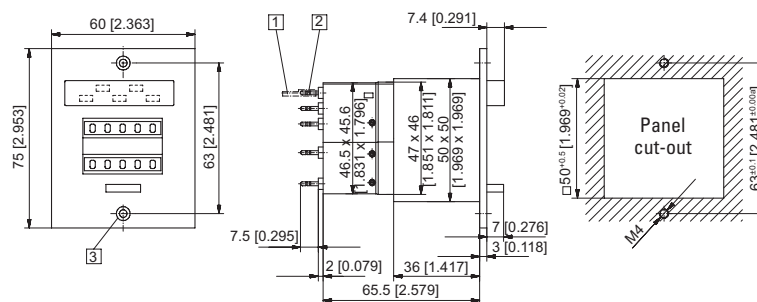
Mounting clip Type HVa 15.21



1 Push on connector \varnothing 1.5 [0.059] tinned 2 Round pin \varnothing 1.6 [0.063] tinned

Type	Voltage	Art. no.					
		10 ... 30 V	20 ... 30 V	42 ... 48 V	100 ... 130 V	187 ... 264 V	360 ... 440 V
HVa 15.21	AC (50 Hz)		3.300.211.071	3.300.211.072	3.300.211.074	3.300.211.075	on request
	AC (60 Hz)		3.300.211.081	3.300.211.082	3.300.211.084	3.300.211.085	on request
	DC	3.300.211.351					

Front bezel 3, with mounting holes Type HVa 15.31



1 Push on connector \varnothing 1.5 [0.059] tinned 2 Round pin \varnothing 1.6 [0.063] tinned 3 Countersinking Af4., DIN 74

Type	Voltage	Art. no.					
		10 ... 30 V	20 ... 30 V	42 ... 48 V	100 ... 130 V	187 ... 264 V	360 ... 440 V
HVa 15.31	AC (50 Hz)		3.300.311.071	3.300.311.072	3.300.311.074	3.300.311.075	on request
	AC (60 Hz)		3.300.311.081	3.300.311.082	3.300.311.084	3.300.311.085	on request
	DC	3.300.311.351					