

# Pulse counters, pneumatic

<b>Pneumatic counters</b>	<b>4 and 6 digits with, 8 digits without reset</b>	<b>PMk14 / PMk16 / PMk18</b>
---------------------------	--	------------------------------



The pneumatic totalizers **PMk14**, **PMk16** (with manual reset) and **PMk18** (without reset) boast a robust construction.

They are ideal for use in harsh industrial environments, where the counters are directly driven by compressed air.

## Characteristics

- Economical pneumatical totalizers.
- PMk14 and PMk16 with manual reset.
- PMk18 without reset.
- Counting via armature system with membrane.

## Benefits

- No leakage.
- Also available with quick connection system.

## Applications

Pneumatically operated devices and equipment.

## Type series

Description	reset	4 digits	6 digits	8 digits
Panel mount with front bezel and 2 mounting holes	without	–	–	<b>PMk18.10</b>
	manual	<b>PMk14.11</b>	<b>PMk16.11</b>	–
Panel mount for clip mounting	without	–	–	<b>PMk18.20</b>
	manual	<b>PMk14.21</b>	<b>PMk16.21</b>	–

## Accessories

	Type / size	Description	Order no.
<b>Gasket counter</b>	<b>39 x 40 mm</b> [1.54 x 1.58]	suitable for PMk14.11	<b>6.0000.1033.0202</b>

## Technical data

<b>Pneumatic connections</b>	M5 inner thread, 4 mm [0.16"] deep	
<b>Air purity</b>	oil free or oil containing, the filter required must eliminate impurities > 40 µm	
<b>Mounting position</b>	any	
<b>L-signal</b>	1.5 ... 8 bar ±15 %	
<b>O-signal</b>	≤ 0.15 bar	
<b>Max. safe pressure</b>	9 bar (static)	
<b>Max. pulse frequency</b>	at 1.5 bar	50 Hz
	at 2.5 bar	25 Hz
	at 6 bar	10 Hz
	at 8 bar	5 Hz
	depends on hose length	
<b>Pulse ratio</b>	1:1 at max. pulse frequency, depending on the control	
<b>Max. Hose length</b>	at 50 Hz	0.3 m [11.81"]
(transmitter - counter, 1.5 bar)	at 25 Hz	0.4 m [15.75"]
	at 10 Hz	0.5 m [19.67"]
<b>Height of figures</b>	4 mm [ 0.16"]	
<b>Color of figures</b>	white on black	

## Technical data

<b>Connection volume</b>	0.19 m <sup>3</sup>	
<b>Operating temperature</b>	-10 °C ... +60 °C [+14 °F ... +140 °F] (non-condensing)	
<b>Protection</b>	with reset	IP40 (front side)
	without reset	IP41 (front side)

## Options

<b>Connector for polyamide hose</b>	ø 4 x ø 6 mm [ 0.16 x 0.24"] Art. no.: 3.XXX.XXX.063
<b>Quick connection for tube outside diameter 4 mm</b>	QSM-M5-4 N140620 Art. no.: 3.XXX.XXX.064

## Approvals

<b>CE compliant</b> in accordance with	RoHS Directive	2011/65/EU
--	----------------	------------

# Pulse counters, pneumatic

## Pneumatic counters

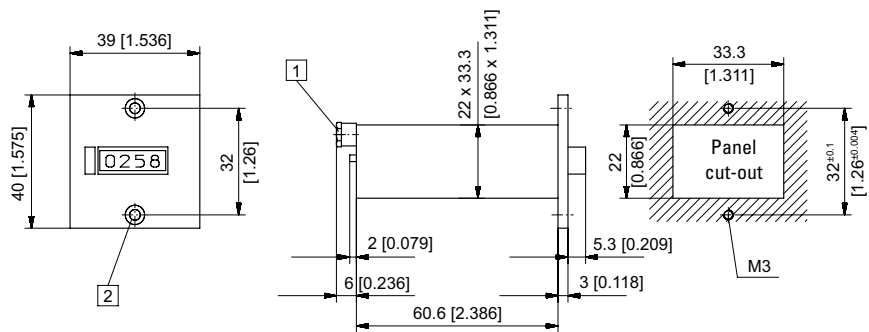
### 4 and 6 digits with, 8 digits without reset

### PMk14 / PMk16 / PMk18

#### Panel mount with front bezel and 2 mounting holes

4 digits, manual reset

#### Type PMk14.11



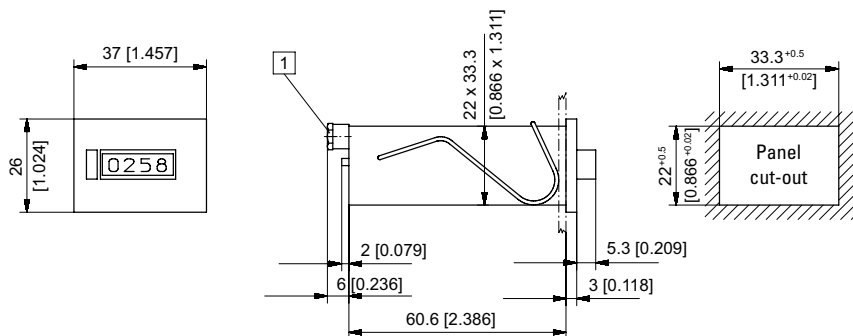
1 Inner thread M5, 4 [0.16] deep 2 Countersinking Af3 DIN 74

Type	Display	Color of housing / Art. no.	
		grey	black
PMk14.11	4 digits, manual reset	3.802.110	3.802.111

#### Panel mount for clip mounting

4 digits, manual reset

#### Type PMk14.21



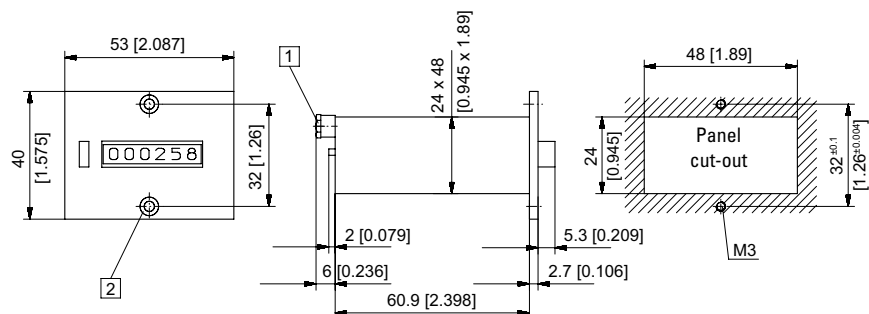
1 Inner thread M5, 4 [0.16] deep

Type	Display	Color of housing / Art. no.	
		grey	black
PMk14.21	4 digits, manual reset	3.802.210	3.802.211

#### Panel mount with front bezel and 2 mounting holes

6 digits, manual reset

#### Type PMk16.11



1 Inner thread M5, 4 [0.16] deep 2 Countersinking Af3 DIN 74

Type	Display	Color of housing / Art. no.	
		grey	black
PMk16.11	6 digits, manual reset	3.804.110	3.804.111

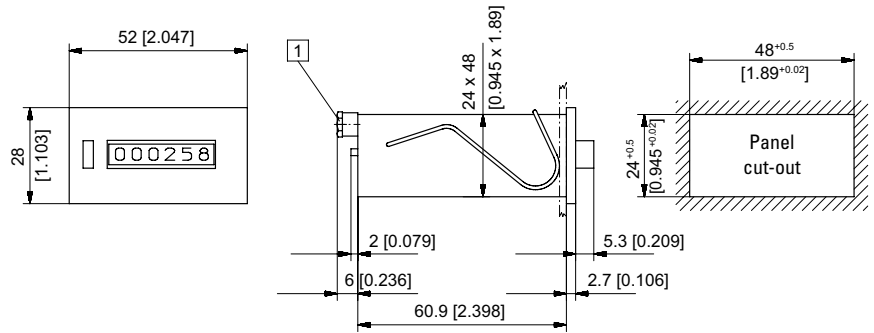
Dimensions in mm [inch]

# Pulse counters, pneumatic

**Pneumatic counters**      **4 and 6 digits with, 8 digits without reset**      **PMk14 / PMk16 / PMk18**

**Panel mount for clip mounting**  
6 digits, manual reset

**Type PMk16.21**



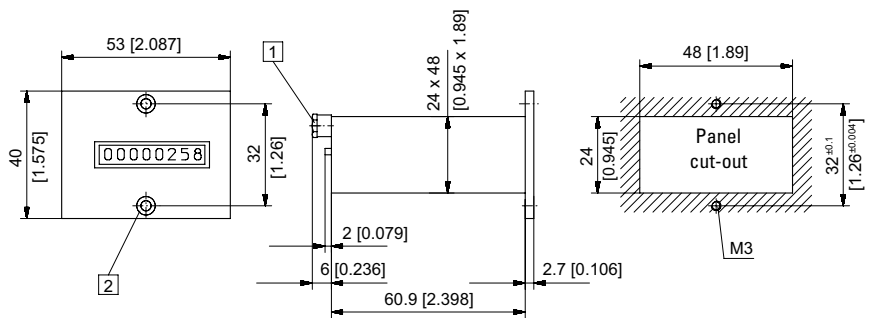
1 Inner thread M5, 4 [0.16] deep

Type	Display	Color of housing / Art. no.	
		grey	black
PMk16.21	6 digits, manual reset	3.804.210	3.804.211

**Panel mount with front bezel and 2 mounting holes**

8 digits, without reset

**Type PMk18.10**



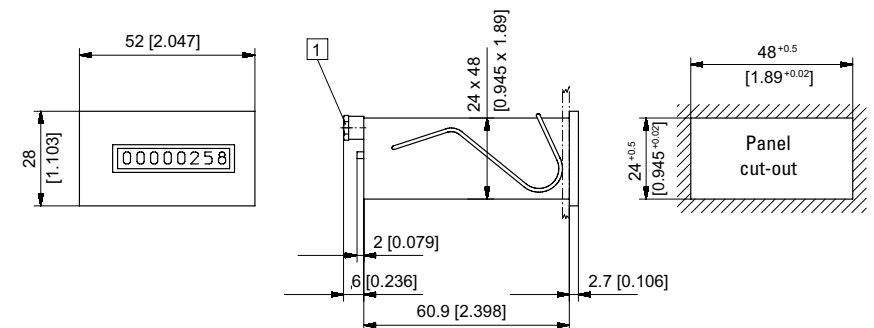
1 Inner thread M5, 4 [0.16] deep      2 Countersinking Af3 DIN 74

Type	Display	Color of housing / Art. no.	
		grey	black
PMk18.10	8 digits, without reset	3.805.100	3.805.101

**Panel mount for clip mounting**

8 digits, without reset

**Type PMk18.20**



1 Inner thread M5, 4 [0.16] deep

Type	Display	Color of housing / Art. no.	
		grey	black
PMk18.20	8 digits, without reset	3.805.200	3.805.201

Dimensions in mm [inch]