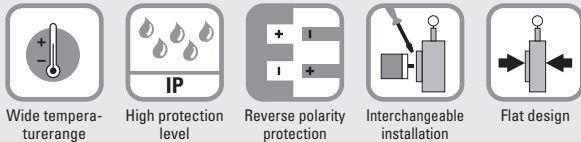


Linear measuring technology

Draw-wire encoder C105	Compact-Line	Measuring length max. 6 m
-------------------------------	---------------------	----------------------------------



The draw-wire encoder C105 features a compact design. It is available with various wire types. All encoders with 58 mm synchro flange and 6 mm shaft, as well as analog sensors with redundant interfaces can be combined with this draw-wire mechanism. The cable and connector orientations of the encoder can easily be adapted to the position of the mechanism. A flexible wire outlet compensates mounting tolerances.



Flexible and compact

- Encoder replacement and connection technology adaptation possible by the user.
- Measuring lengths from 3 m to 6 m.
- Simple adaptation of the position for the connection technology.
- Flexible wire outlet and different wire types.
- Compact design.
- Simple installation.
- Scalable analog output with limit switch function.
- Redundant sensors.

Order code with encoder (incremental, absolute)

D8.1 XXX . XXXX . XXXX
Type a b c d e f

- a** Wire type
 1 = steel wire
 2 = Para-Line ¹⁾
 5 = Steel wire, plastic coated
 - b** Measuring range
 A1 = 3 m
 04 = 4 m
 05 = 5 m
 06 = 6 m ¹⁾
 - c** Encoder used
 2Z = Sendix 5000, incremental
 M3 = Sendix M5863, absolute
 F3 = Sendix F5863, absolute
 63 = Sendix 5863, absolute
 M8 = Sendix M5868, absolute
 F8 = Sendix F5868 absolute
 68 = Sendix 5868, absolute
 - d** Output circuit
 depends on the encoder used
 - e** Type of connection
 depends on the encoder used
 - f** Resolution / Protocol / Options
 depends on the encoder used
- Draw-wire mechanism without encoder write 0 in c, d, e + f*
 Example: D8.1106.0000.0000

Standard resolutions for draw-wire with incremental encoder Sendix 5000			
Drum circumference [mm]	200	200	200
Pulses / revolution [ppr]	200	2000	4000
Pulses / mm	1	10	20
Resolution [mm]	1	0.1	0.05

Standard resolutions for draw-wire with absolute encoder Sendix M5863 (12 bit ST) or M5868 (12 bit ST, programmable via bus)	
Drum circumference [mm]	200
Pulses / revolution [ppr]	4096
Pulses / mm	20.5
Resolution [mm]	0.05

Recommended standard variants (with incremental, absolute encoder)

Order no. draw-wire encoder	Mounted encoder	Interface	Power supply	Type of connection	Resolution / Protocol	Option
D8.1xxx.2254.2000	Sendix 5000 (8.5000.B154.2000)	Push-pull with inverted signal	10 ... 30 V DC	1 x radial M12 connector	2000 ppr	-
D8.1xxx.M324.G222	Sendix M5863 (8.M5863.4124.G222)	SSI	10 ... 30 V DC	1 x radial M12 connector	4096 ppr / SSI-Gray-Code	-
D8.1xxx.M824.2122	Sendix M5868 (8.M5868.4124.2122)	CANopen	10 ... 30 V DC	1 x radial M12 connector	CANopen encoderprofil DS406 V4.0	-

¹⁾ Wire type **a** = 2 (Para-Line) not available for measuring range 6 m.

Linear measuring technology

Draw-wire encoder C105

Compact-Line

Measuring length max. 6 m

Other variants (with absolute encoder)

Order no. draw-wire encoder	Mounted encoder	Interface	Power supply	Type of connection	Resolution / Protocol	Option
D8.1xxx.F326.G223	Sendix F5863 (8.F5863.2126.G223)	SSI	10 ... 30 V DC	1 x radial M12 connector	4096 ppr / SSI-Gray-Code	SET button + status LED
D8.1xxx.6326.G223	Sendix 5863 (8.5863.2126.G223)	SSI	10 ... 30 V DC	1 x radial M12 connector	4096 ppr / SSI-Gray-Code	SET button + status LED
D8.1xxx.F82E.2123	Sendix F5868 (8.F5868.212E.2123)	CANopen	10 ... 30 V DC	1 x radial M12 connector	CANopen encoder profile DS406 V3.2	SET button
D8.1xxx.6822.2123	Sendix 5868 (8.5868.2122.2123)	CANopen	10 ... 30 V DC	2 x radial M12 connector	CANopen encoder profile DS406 V3.2	SET button
D8.1xxx.M834.3222	Sendix M5868 (8.M5868.4134.3222)	SAE J1939	10 ... 30 V DC	1 x radial M12 connector	SAE J1939	-
D8.1xxx.M844.4122	Sendix M5868 (8.M5868.4144.4122)	IO-Link	18 ... 30 V DC	1 x radial M12 connector	IO-Link	-
D8.1xxx.6832.3113	Sendix 5868 (8.5868.2132.3113)	PROFIBUS	10 ... 30 V DC	3 x radial M12 connector	Profibus-DP V0 encoder profile Class 2	SET button
D8.1xxx.68B2.B212	Sendix 5868 (8.5868.21B2.B212)	EtherCAT	10 ... 30 V DC	3 x radial M12 connector	EtherCAT with CoE 3.2.10	-
D8.1xxx.F8CN.C122	Sendix F5868 (8.F5868.21CN.C122)	PROFINET IO	10 ... 30 V DC	3 x axial M12 connector	PROFINET encoder profile version 4.2	-
D8.1xxx.F8AN.A222	Sendix F5868 (8.F5868.21AN.A222)	EtherNet/IP	10 ... 30 V DC	3 x axial M12 connector	EtherNet/IP	-

Order code with encoder (analog, scalable with limit switch function)

D8.1 **XXX** . **M1XX** . **XXXX**
 Type **a** **b** **c** **d** **e** **f**

- a** Wire type
 1 = steel wire
 2 = Para-Line ¹⁾
 5 = Steel wire, plastic coated
 - b** Measuring range
 A1 = 3 m
 04 = 4 m
 05 = 5 m
 06 = 6 m ²⁾
 - c** Encoder used
 M1 = Sendix M5861, absolute ²⁾
 - d** Output circuit
 depends on the encoder used
 - e** Type of connection
 depends on the encoder used
 - f** Resolution / Protocol / Options
 depends on the encoder used
- Draw-wire mechanism without encoder write 0 in **c**, **d**, **e** + **f***
 Example: D8.1106.0000.0000

Recommended standard variants (with encoder analog, scalable with limit switch function)

Order no. draw-wire encoder	Mounted encoder	Interface	Power supply	Type of connection	Resolution / Protocol	Option
D8.1xxx.M134.3512	Sendix M5861 (8.M5861.4134.3512)	Analog, 4 ... 20 mA	10 ... 30 V DC	radial M12 connector	12 Bit / 4 ... 20 mA	scalable with limit switch function ³⁾
D8.1xxx.M144.4512	Sendix M5861 (8.M5861.4144.4512)	Analog, 0 ... 10 V	15 ... 30 V DC	radial M12 connector	12 Bit / 0 ... 10 V	scalable with limit switch function ³⁾
D8.1xxx.M134.3612	Sendix M5861 (8.M5861.4134.3612)	Analog, 4 ... 20 mA	10 ... 30 V DC	radial M12 connector	12 Bit / 4 ... 20 mA	scalable without limit switch function ³⁾
D8.1xxx.M144.4612	Sendix M5861 (8.M5861.4144.4612)	Analog, 0 ... 10 V	15 ... 30 V DC	radial M12 connector	12 Bit / 0 ... 10 V	scalable without limit switch function ³⁾

Order code with analog sensor (scaled to measuring range)

D8.3 **1XX** . **XXX** **2** . **0000**
 Typ **a** **b** **c** **d**


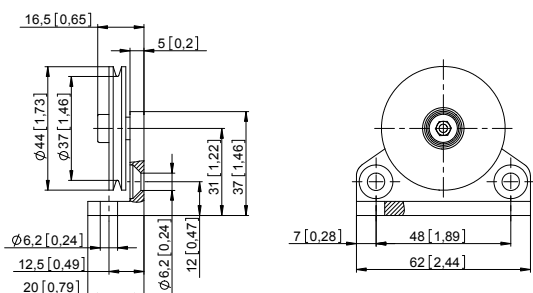
- a** Wire type
 1 = steel wire (ø 0,6 mm)
- b** Measuring range
 05 = 5 m
 06 = 6 m
- c** Redundant sensor / supply voltage
 R11 = 2 x 4 ... 20 mA / 10 ... 30 V DC
 R33 = 2 x potentiometer 10 kΩ / max. 30 V DC
- d** Type of connection
 2 = radial M12 connector, 8-pin


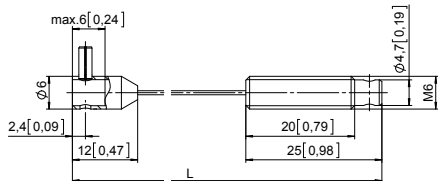
1) Wire type **a** = 2 (Para-Line) not available for measuring range 6 m.
 2) With ccw option.
 3) Delivery condition: unscaled.
 Description for scaling and limit switch function see data sheet M5861.

Linear measuring technology

Draw-wire encoder C105	Compact-Line	Measuring length max. 6 m
-------------------------------	---------------------	----------------------------------

Accessories for draw-wire encoder	Dimensions in mm [inch]	Order no.
-----------------------------------	-------------------------	-----------

Guide pulley 	<p>Technical data:</p> <ul style="list-style-type: none"> - mounting bracket (anodized alum.) - guide pulley (plastic POM) - ball bearing (type 696-2R5) <p>Scope of delivery:</p> <ul style="list-style-type: none"> - 2 x countersunk screws for lateral fixing - 2 x hexagonal screws for fixing on a flat surface 	8.0000.7000.0045
		

Extension cable (further on request) 		<p>Steel wire 2 m [6.56'] 8.0000.7000.0033</p> <p>Steel wire 5 m [16.40'] 8.0000.7000.0034</p> <p>Steel wire 10 m [32.81'] 8.0000.7000.0035</p> <p>Paraleine 2 m [6.56'] 8.0000.7000.0032</p>
--	--	---

Cables and connectors	Order no.
-----------------------	-----------

Preassembled cables	<p>M12 female connector with coupling nut, 4-pin, A coded, straight single ended 2 m [6.56'] PUR cable</p> <p>M12 female connector with coupling nut, 5-pin, A coded, straight single ended 2 m [6.56'] PVC cable</p> <p>M12 male connector with external thread, 4-pin, D coded, straight single ended 2 m [6.56'] PUR cable</p> <p>M12 female connector with coupling nut, 8-pin, A coded, straight single ended 2 m [6.56'] PVC cable</p>	<p>05.00.6061.6211.002M</p> <p>05.00.6081.2211.002M</p> <p>05.00.6031.4411.002M</p> <p>05.00.6041.8211.002M</p>
Connectors	<p>M12 female connector with coupling nut, 5-pin, A coded, straight (metal)</p> <p>M12 female connector with coupling nut, 5-pin, A coded, straight (metal/plastic)</p> <p>M12 female connector with coupling nut, 5-pin, A coded, straight (metal, Ex approval)</p>	<p>8.0000.5116.0000</p> <p>05.B-8151-0/9</p> <p>8.0000.5121.0000.Ex</p>

Further Kübler cables and connectors can be found at: kuebler.com/connection-technology

Linear measuring technology

Draw-wire encoder C105	Compact-Line	Measuring length max. 6 m
-------------------------------	---------------------	----------------------------------

Technical data

Mechanical characteristics	
Measuring range	3000 ... 6000 mm
Speed max.	3000 mm/s
Acceleration max.	23.5 m/s ²
Extension force F_{min}	8 N
Repeat accuracy	±0.25 mm
Working temperature	with encoder -20 °C ... +80 °C [-4 °F ... +176 °F] -40 °C ... +80 °C [-40 °F ... +176 °F], optional on request, speed max. 800 mm/s with analog sensor -40 °C ... +80 °C [-40 °F ... +176 °F]
Weight	approx. 800 g [28.22 oz]
Drum circumference	200 mm
Wire	Para-Line ø 0,6 mm steel wire ø 0,6 mm

Electrical characteristics analog sensor R11	
Supply voltage	10 ... 30 V DC
Output current	4 ... 20 mA (2x) 20 ... 4 mA (2x) 4 ... 20 mA + 20 ... 4 mA

For the electrical characteristics as well as for the terminal assignment, please refer to the data sheet of the encoder used.

Electrical characteristics analog sensor R33	
Analog output	2 x potentiometer
Output	10 kΩ
Supply voltage	max. 30 V DC
Load capacity	2 W at 70 °C
Resistance tolerance	±5 %
Standard terminal resistance	0.5% or 1Ω
Linearity tolerance	±0.25 %

Approvals	
CE compliant in accordance with	
EMC Directive	2014/30/EU
RoHS Directive	2011/65/EU

Terminal assignment (analog output)

Analog sensor R11 , redundant (2 x 4 ... 20 mA)	M12 connector, 8 pin		R/I-converter 1		R/Iconverter 2						
		Signal:	+V 1	I _{out} 1	+V 2	I _{out} 2	n.c.	n.c.	n.c.	n.c.	
		Pin:	1	3	5	7	2	4	6	8	
Analog sensor R33 , redundant (2 x Potentiometer 1 kΩ)	M12 connector, 8 pin		Potentiometer 1			Potentiometer 2					
		Signal:	+V 1	Out 1	0 V 1	n.c.	+V 2	Out 2	0 V 2		n.c.
		Pin:	1	2	3	4	5	6	7		8

Top view of mating side, male contact base



M12 connector, 8-pin

Draw-wire encoder C105

Compact-Line

Measuring length max. 6 m

Dimensions

Dimensions in mm [inch]

Draw-wire mechanics with encoder

