

# Linear measuring technology

## Lift measuring system for shaft-copying

Encoder mounting fixture, guided-belt, LM3

max. height 53 m



System for shaft-copying, with complete mechanical kit in proven toothed belt technology.

A smooth-running toothed belt and a vibration-resistant encoder mounting fixture ensure quiet operation. The belt pulley benefits from separate bearing supports in the mounting fixture, so protecting the installed encoder from mechanical overloading. With the guided-belt system, the encoder mounting fixture and the measuring wheels are located on the lift car.



Ideal for use in passenger lifts, freight lifts, automatic storage systems.

### Complete system

- Fast and easy installation with accessories from one single source.
- Reduced load on encoder bearings due to separate belt pulley-bearings.
- Non-slip.
- Tensioning rollers with belt guide.

### Minimal noise generation

- Smooth-running toothed-belt ensures extremely quiet operation.
- Vibration-free operation.

## Order code

8.LM3.01

### Encoder mounting fixture with measuring wheels for fixing on the lift car

#### Consists of:

- Encoder mounting fixture
- Mounted measuring wheel
- Belt guide
- Belt fixing and tensioning set
- Screws and other small components

#### Suitable encoders:

- Incremental encoder: 8.5000.83XX.XXXX

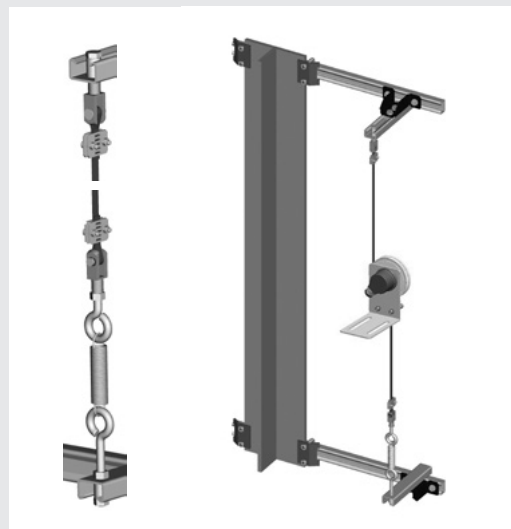
calculation of pulse rate ppr =

$$\frac{300 \text{ mm}}{\text{resolution, e.g. } 0.5 \text{ mm}} = 600$$

- Absolute encoders:

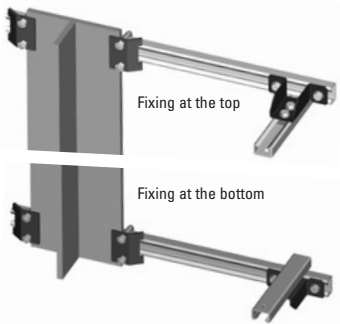
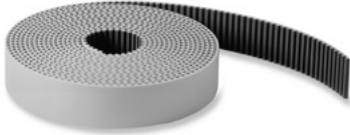
SSI: 8.5863.12XX.XXXX

CANopen / CANopenLift: 8.5868.12XX.XXXX



# Linear measuring technology

<b>Elevator measuring system for shaft-copying</b>	<b>Encoder mounting fixture, guided-belt, LM3</b>	<b>max. height 53 m</b>
--	---	-------------------------

Accessories for encoder mounting fixture LM3		Order no.
<b>Fixing kit</b> 	Complete kit consists of: - C-rails, 700 mm - Bracket - Screws - Other small components	<b>8.BLM2.01</b>
<b>Toothed belt</b> 	<ul style="list-style-type: none"> <li>- Width 10 mm</li> <li>- Polyurethane, with single parallel steel cords</li> <li>- Low belt-stretch</li> <li>- High resistance to abrasive wear</li> <li>- Resistant to the effects of UV radiation</li> <li>- Maintenance-free</li> <li>- Resistant to ageing</li> <li>- Temperature range -10°C ... +80°C [+14°F ... +176°F]</li> </ul> <p>Calculation of the required length of toothed belt =            Elevator height + approx. 5 m            (depending on the distance between top and bottom fixing)</p>	<b>05.ZAR1.XXX</b>  <small>XXX = Length in meters            Standard delivery lengths:            20 m, 25 m, 30 m, 35 m, 40 m,            45 m, 50 m, 55 m, 60 m, 70 m,            80 m, 90 m, 100 m, 120 m,            250 m, 300 m            Other lengths on request</small>

Technical data	
<b>Resolution in the shaft</b>	depends on the resolution of the encoder (e.g. incremental encoder with 3000 ppr = 0.1 mm; absolute encoder 12 x 12 bit < 0.1 mm)
<b>Elevator car speed</b>	max. 1.6 m/s
<b>Max. height of lift</b>	53 m
<b>Effective circumference of belt pulley</b>	300 mm

## Dimensions

Dimensions in mm [inch]

